

# Bestway®

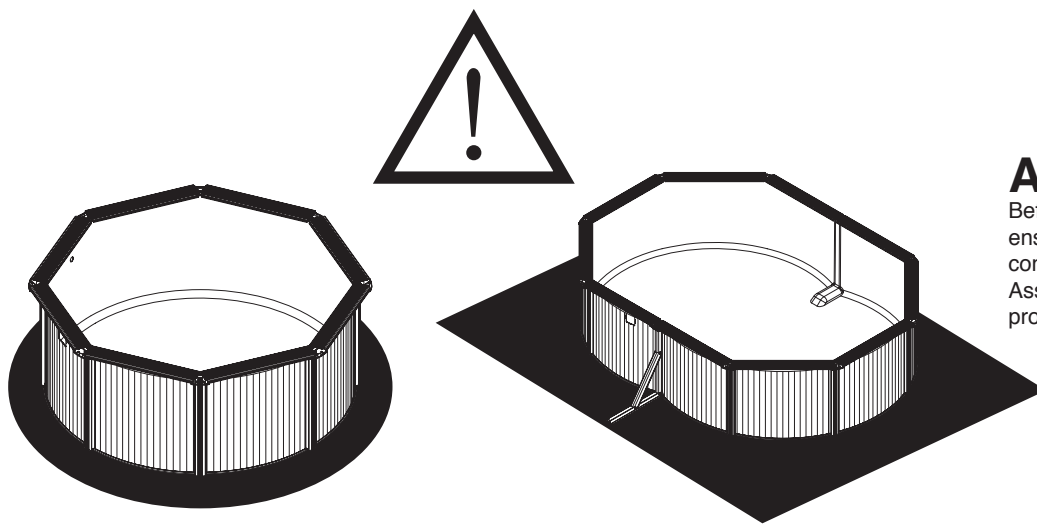


## HYDRIUM™ OVAL POOLS OWNER'S MANUAL

[www.bestwaycorp.com](http://www.bestwaycorp.com)

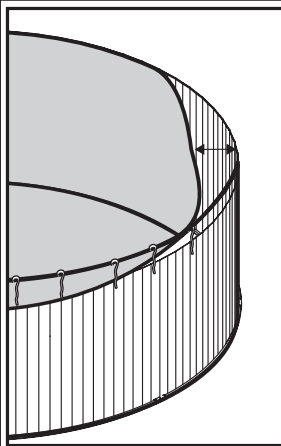
Visit Bestway YouTube channel 





## ATTENTION!

Before setting up your pool ensure your selected location is completely firm and level. Assemble the pool on the provided ground cloth.



**NOTE:** The liner of the steel wall pool is designed to be smaller than the steel wall for technical reasons. If you find it difficult to assemble the liner, place the liner under the sun for one hour which will make it more pliable. You should then be able to assemble the liner step by step, stretching it by hand at the same time. This procedure will not damage the liner.

# ! WARNING !



**Only for outdoor use.**

**Teach your children to swim.**

**Never dive, jump, or slide into the pool.**

**Adult supervision is always required.**

**Parents should learn CPR.**

**Never swim alone.**

- Keep all electrical radios, speakers and other appliances away from the swimming pool.
- When you touch the filter, pump, or electrical parts, be sure the ground under your feet is "Bone Dry."
- All electrical outlets should have a GFCI and connections should be a minimum of 5 feet (1.52 m) from the outside perimeter of the wall of the pool. From 5–10 feet (1.52–3.05 m), there should be either a fixed connection (outlet box) or twistlock connection with a GFCI.
- Connect power cords to a 3-wire grounding-type outlet only.
- Keep all breakable objects out of the pool area.
- Alcohol consumption and pool activities do not mix. Never allow anyone to swim, dive or slide under the influence of alcohol or drugs.
- Severe electrical shock could result if you install your pump or filter on a deck. The pump or filter could fall into the water, causing severe shock or electrocution. Do not install on a deck or other surface at, above, or slightly below the top rail of the pool.
- Do not use the pool during severe weather conditions, i.e. electrical storms, tornadoes, etc.
- Be aware of overhead power lines when vacuuming your pool or using a telescoping pole.
- Do not allow diving, climbing, sitting, or standing on the top rails of the pools.
- Do not allow roughhousing and horseplay.
- Do not engage in extended breath holding activities underwater; you may black out and drown.
- Install a pool ladder(s) or staircase for entry and exit from the pool.
- Keep deck clean and clear of objects that may create a tripping hazard.
- Check regularly for signs of wear or loose bolts that could make the deck unsafe.
- Instruct pool users about the proper use of all pool ladder(s) and staircases.
- Face ladder going up or down.
- Allow only one person at a time on the ladder.
- Check all nuts and bolts regularly to ensure that the ladder stays sturdy.
- Remove or secure the ladder to prevent entry to pool when not in use.
- Please contact pool site dealer or manufacturer for additional safety signs if deemed necessary.
- For pool service, select a certified pool professional.
- Any equipment connected to the circulation systems shall be positioned so as to prevent their being used as a means of access to the pool by young children.
- The installation must comply with the codes of the authority having jurisdiction and may require permits for building, plumbing electrical, zoning, etc.
- The pool shall be located a minimum distance of 6 ft (1.83 m) from any electrical receptacle.
- All 125 volt, 15 and 20 ampere receptacles located within 20 ft (6.0 m) of the pool shall be protected by a ground fault circuit interrupter (GFCI). The 20 ft (6 m) distance is measured via the shortest straight line distance the supply cord would follow without piercing a floor, wall, ceiling, doorway, window, or other permanent barrier.
- Prior to use of the pool, the installer shall affix all no diving signs and safety signs in accordance with installation instructions so they can be easily visible.
- A barrier is necessary to provide protection against potential drowning and near drowning and that barriers are not a substitute for the constant supervision of children.
- A list of emergency telephone numbers shall be posted, such as the nearest available police, fire, ambulance, and/or rescue unit. These numbers are to be kept near the telephone that is closest to the pool.
- Toys, chairs, tables, or similar objects that a young child could climb shall be at least 4 feet (1219 mm) from the pool. If deck is used by the installer, it will need to comply with APSP-8.
- Basic lifesaving equipment, including one of the following, shall be on hand at all times: a. A light, strong, rigid pole (shepherd's crook) not less than 12 ft (3.66 m) long. b. A minimum ¼ in. (6 mm) diameter rope as long as 1½ times the maximum width of the pool or 50 feet (15.24 m), whichever is less, which has been firmly

attached to a Coast Guard-approved ring buoy, or a similarly approved flotation devices.

- The swimming pool cover is not designated as a safety barrier.

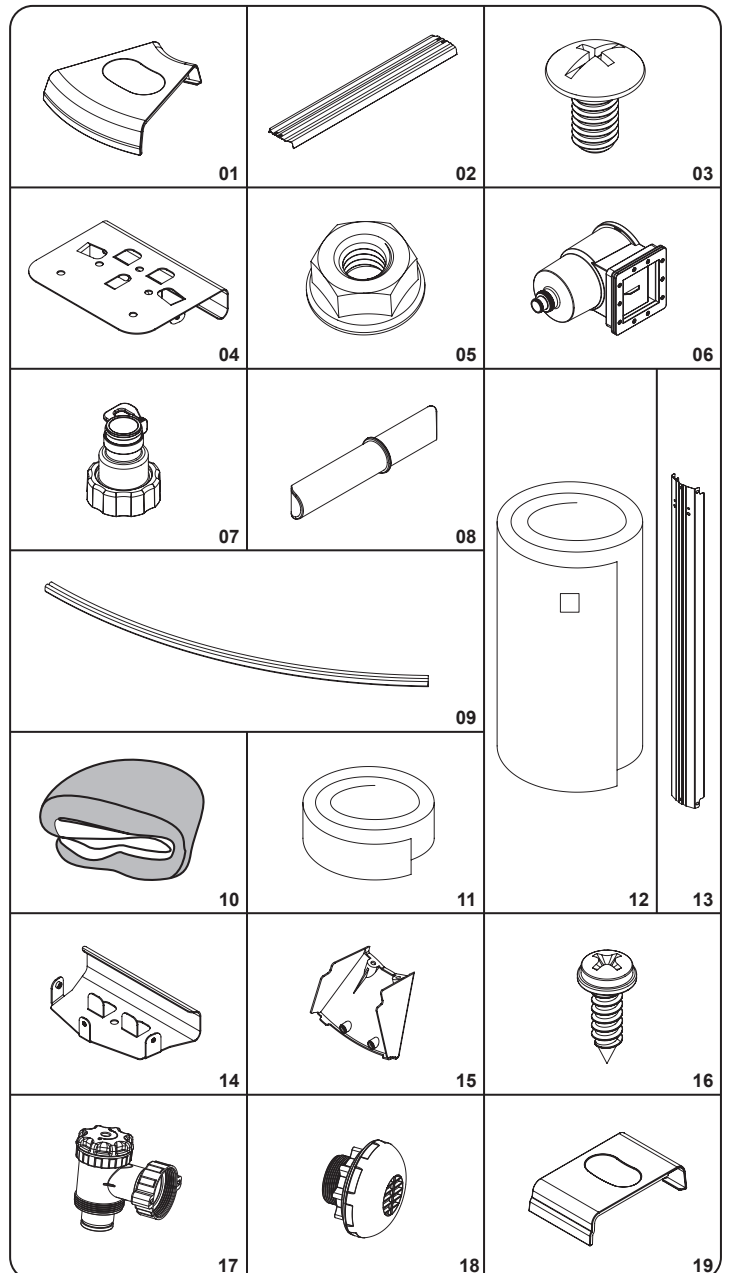
- Please use artificial lighting during nighttime pool use, to illuminate all safety signs, ladders, steps, deck surfaces and walks.

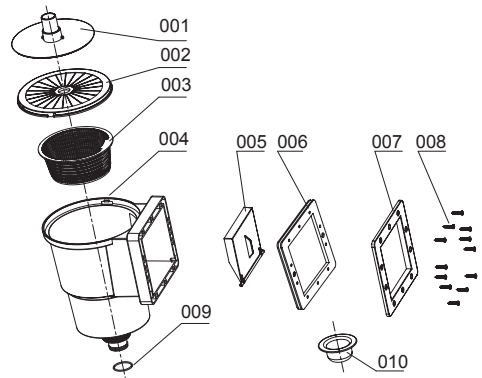
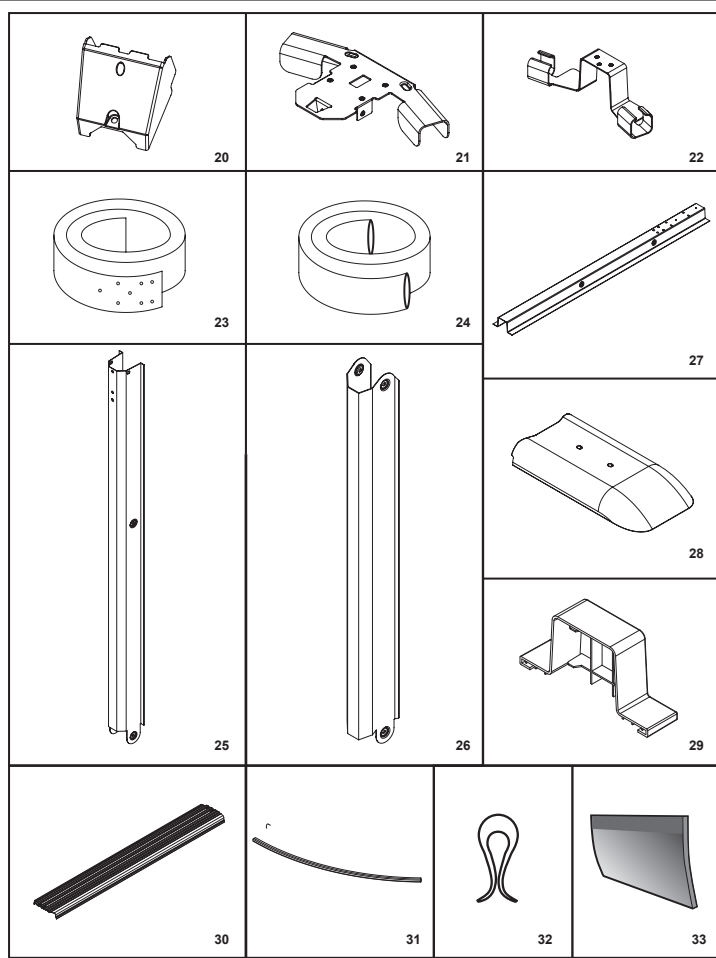
The pool is subject to wear and deterioration. If not maintained properly, certain types of excessive or accelerated deterioration can lead to failure of the pool structure that might release large quantities of water that could cause bodily harm and property damage.

- The bottom of the pool shall be visible at all times from the outside perimeter of the pool.
- The installer of the vinyl liner shall affix on the original or replacement liner, or on the pool structure, all safety signs in accordance with the manufacturer's instructions. If have a filter pump, refer to the pump's manual for instructions.
- The ladder shall be located on a solid base and the ladder shall be installed per the ladder's instructions.
- Publications are available that describe the risk of drowning, entrapment, and diving accidents.
- Available publications related to pool safety include the Association of Pool and Spa Professionals' (APSP) booklets entitled: The Sensible Way to Enjoy Your Aboveground/Onground Swimming Pool, Children Aren't Waterproof, Pool and Spa Emergency Procedures for Infants and Children, Layers of Protection, and the latest published edition of ANSI/APSP-8 Model Barrier Code for Residential Swimming Pools, Spas, and Hot Tubs.

Please read carefully and keep for future reference

## Parts Reference

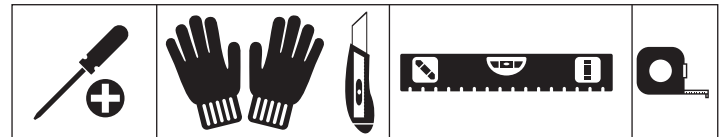




**PART LIST OF SKIMMER**

NO.	Name	Quantity	Spare Part No.
001	Hose attachment	1	P6774
002	Cover	1	P6991
003	Basket	1	P6776
004	Skimmer	1	P6777
005	Weir	1	P6992
006	Gasket	1	P6993
007	Face plate	1	P6780
008	M5x22 screw	12	/
009	O-ring	1	/
010	Plug	1	P6813

**Tools Required (not included):**



Installation usually takes approximately 3 hours with 2-3 people excluding earthworks and filling.

No.	Name	Material	16.4' x 12' x 48"		20' x 12' x 48"		24' x 12' x 48"	
			Qty	Spare Part No.	Qty	Spare Part No.	Qty	Spare Part No.
1	Upper joint protector	PP	8	P6743	8	P6743	8	P6743
2	Long top platform	Coated Steel	10	P6745	6	P6745	6	P6745
3	M6x11 bolt	Stainless Steel 304	170	P6746	214	P6746	260	P6746
4	Top metal piece	Steel	8	P6747	8	P6747	8	P6747
5	M6 nut	Stainless Steel 304	52	P6748	74	P6748	98	P6748
6	Skimmer		1	P6762	1	P6762	1	P6762
7	Hose adapter		2	F6H202	2	F6H202	2	F6H202
8	Rail connector	PP	32	P6990	32	P6990	32	P6990
9	Long Rail	PVC	20	P61236	12	P61237	12	P61237
10	Liner	PVC	1	56286ASS16	1	56369ASS16	1	56604ASS17
11	3M Self-adhesive tape		1	P6756	1	P6756	1	P6756
12	Steel wall	Coated Steel	1	P61447 P61550 (For US only)	1	P61448 P61551 (For US only)	1	P61449 P61461 (For US only)
13	Pool vertical support	Coated Steel	8	P6757	8	P6757	8	P6757
14	Bottom metal piece	Steel	8	P6761	8	P6761	8	P6761
15	Bottom joint protector	PP	8	P6759	8	P6759	8	P6759
16	ST4x14 screw	Stainless Steel 304	22	P61491	28	P61491	34	P61491
17	Control Valve		1	P6(H1)1229	1	P6(H1)1229	1	P6(H1)1229
18	Pool Inlet Strainer		1	P6H1317	1	P6H1317	1	P6H1317
19	Side upper joint	PP	2	P6800	4	P6800	6	P6800
20	Side bottom joint	PP	2	P6801	4	P6801	6	P6801
21	Side top metal piece	Steel	2	P6802	4	P6802	6	P6802
22	Side bottom metal piece	Steel	2	P6826	4	P6826	6	P6826
23	Steel belt	Steel	1	P6810	2	P6810	3	P6810
24	Steel belt cover	PVC	1	P6811	2	P6811	3	P6811
25	Side vertical support	Coated Steel	2	P61249	4	P61249	6	P61249
26	Side oblique support	Coated Steel	2	P61250	4	P61250	6	P61250
27	Side bottom support	Steel	2	P6827	4	P6827	6	P6827
28	Inside bottom protector	PP	2	P6828	4	P6828	6	P6828
29	Side bottom protector	PP	2	P61251	4	P61251	6	P61251
30	Short top platform	Coated Steel			6	P61234	8	P61234
31	Short Rail	PVC			12	P61238	16	P61238
32	Clips	Plastic	20		20		20	
33	Foam protector	EPE	8	P61473	8	P61473	8	P61473



## SELECTING A SUITABLE LOCATION

### **WARNING:** Leveling is extremely important.

Carefully select the location for your new pool. This is the most important decision you will have to make to ensure the safety and success of your pool's construction. A poorly-chosen location could cause problems in the future that may cause injury, death or financial loss. Read carefully the checklist below when selecting where to set up your pool.

#### **Acceptable:**

- Flat, level, firm and dry ground with easy access to all sides of the pool
- Exposed to direct sunlight, preferable in the morning
- Safe access to electricity for running the filter pump and other pool accessories
- Easy to access to a water source
- Protection from wind

#### **Unacceptable:**

- Sloping, uneven ground
- Sandy, rocky or soggy ground
- Close to wooden construction (e.g. pergolas and decking)
- Next to trees
- Overhead wires and clotheslines
- Drains, electric wires or gas pipelines underneath the site
- Poor or little drainage
- High flood risk locations
- High wind conditions

**NOTE:** Remove the higher ground rather than filling the low laying ground. All grass and sod under entire pool area must be removed.

## POOL ASSEMBLY

Please refer to diagram steps.

## POOL MAINTENANCE

**Warning:** If you do not adhere to the maintenance guidelines covered herein, your health might be at risk, especially children.

**NOTE:** The pump is used to circulate the water and to filter small particles. In order to keep your pool water clean and hygienic, you must add chemicals.

1. Always keep your pool clean and apply the correct pool chemicals. Unsanitary water is a serious health hazard.
2. Maintain pool pH level between 7.4 to 7.6.
3. Clean the PVC liner regularly with non-abrasive brushes or a pool vacuum cleaner.
4. Throughout the season, the water filtration system must run long enough each day to clean the entire volume of water in the pool.
5. Check the filter cartridge (or sand in sand filter) regularly and replace dirty cartridges (or sand).
6. Regularly check the screws, bolts and all the metal parts for rust. Replace if necessary.
7. If it rains, check that the water level is not higher than the specified level (Diagram 26,27). If water exceeds the specified levels, drain the pool to the specified level.
8. Do not use the pump when the pool is in use.
9. Cover the pool when not in use.

**ATTENTION:** Do not leave the drained pool outside.

## WINTERIZATION

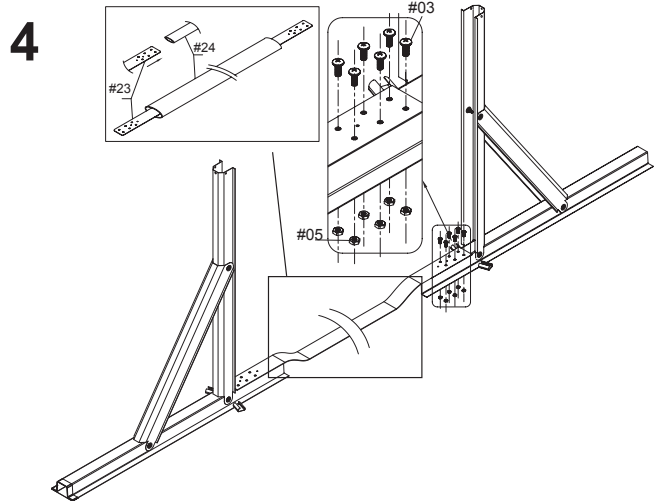
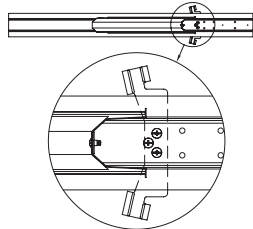
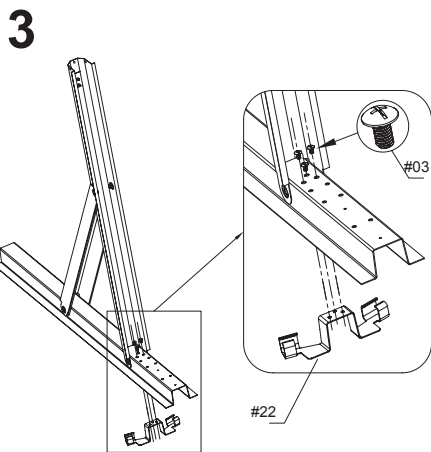
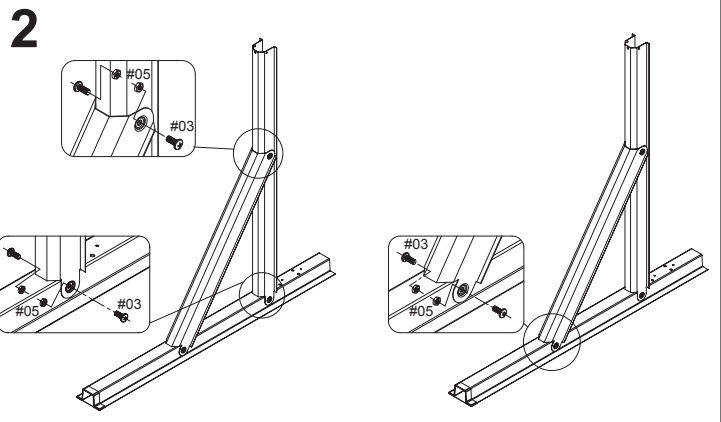
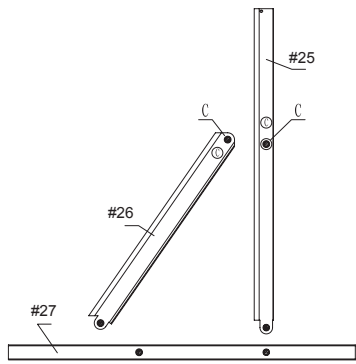
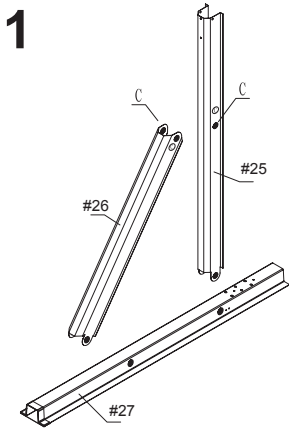
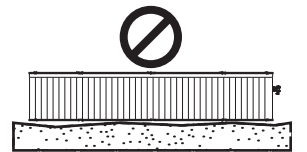
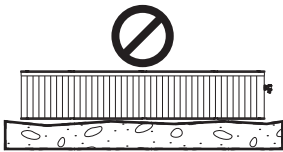
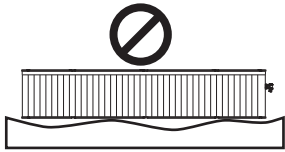
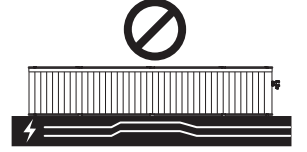
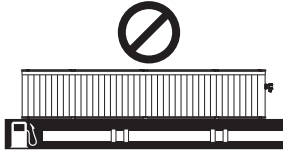
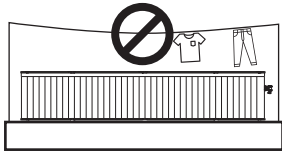
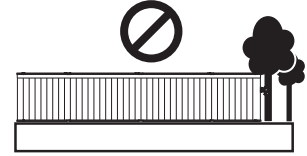
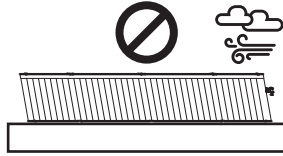
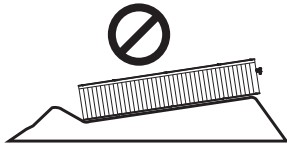
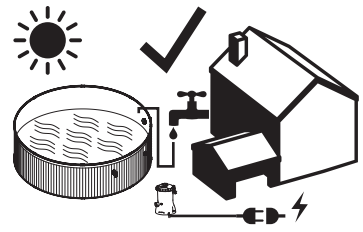
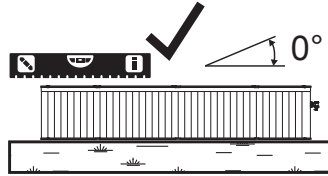
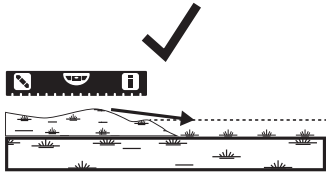
If you do not want to dismantle the pool in winter, please observe the following instructions:

**IMPORTANT:** Do not drain all of the pool water. If you do so, the pool may be damaged by strong wind. Drain the water to 10cm below the inlet valve on the pool wall.

1. Drain the water to 10cm below the inlet valve on the pool wall. You can use a pump or a garden hose (Diagram 28,29).
2. Treat the pool water with a suitable chemical product.
3. Remove the filtration system from the pool. You can leave the inlets/outlets attached to the pool.
4. Also remove any other pool accessories and store them in a dry and cool place.
5. Protect the pool with the pool cover.

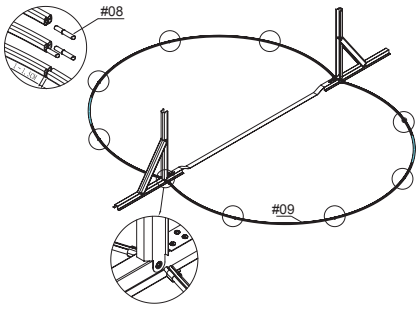
If you want to dismantle the pool in winter, please observe the following instructions:

1. Drain the pool with a garden hose, or use a drain pump to empty the pool (Diagram 28).
2. Clean every pool parts with a sponge and a soap with a neutral pH. Dry them and tidy them away in a dry and clean place.

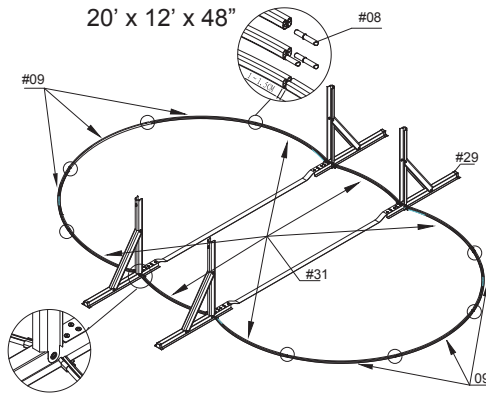


5

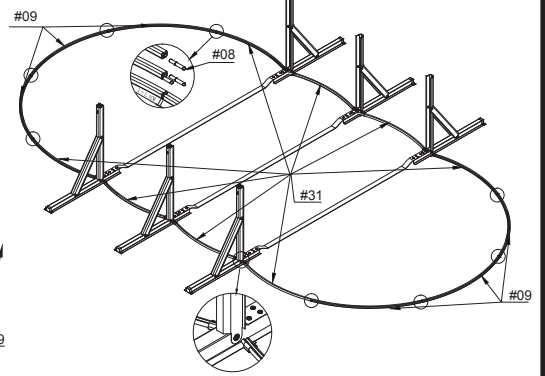
16.4' x 12' x 48"



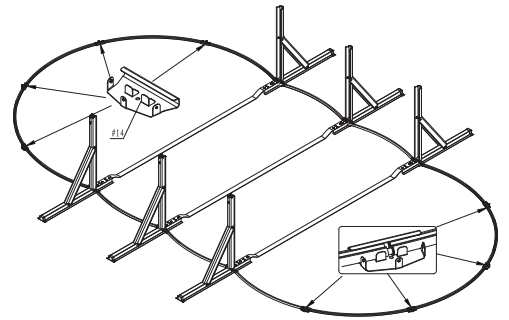
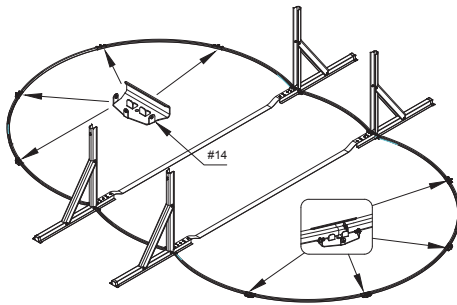
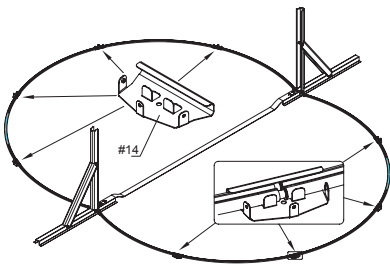
20' x 12' x 48"



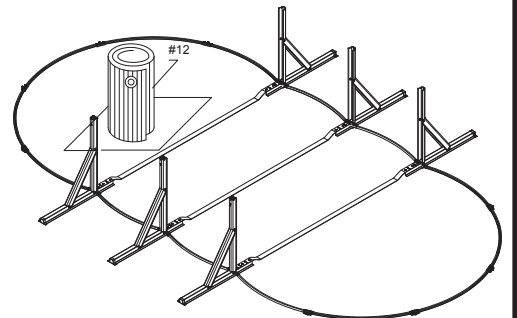
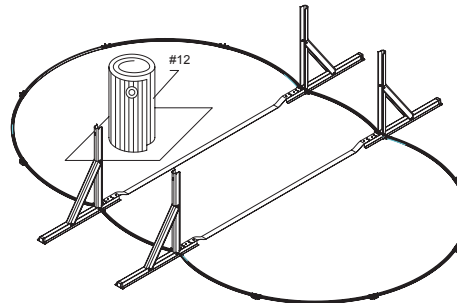
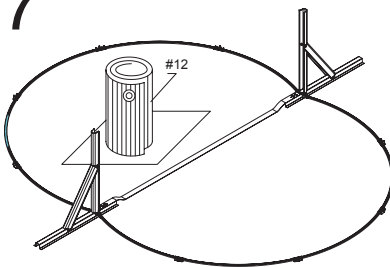
24' x 12' x 48"



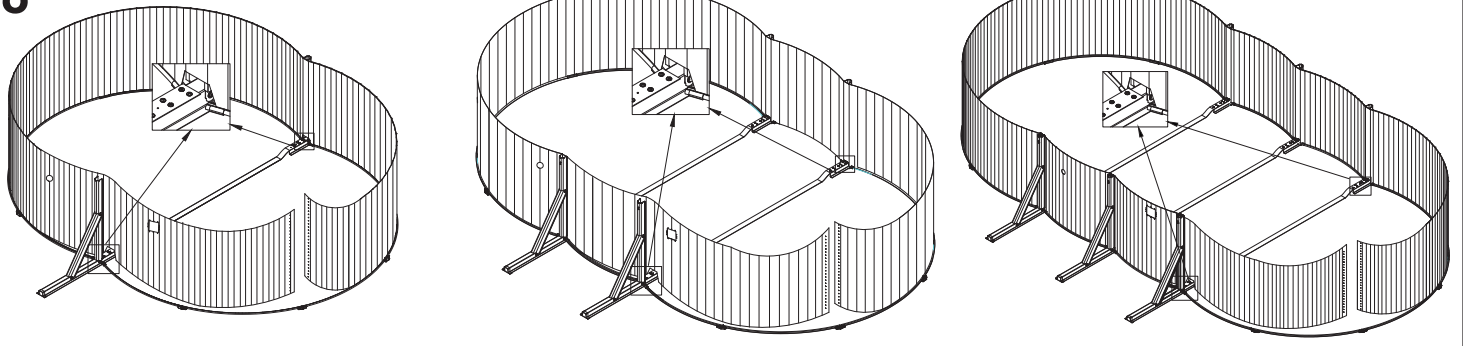
6



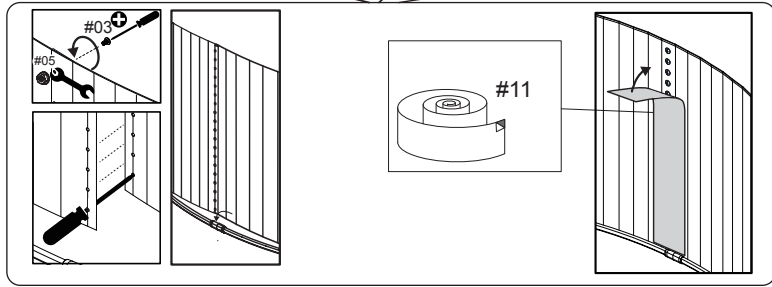
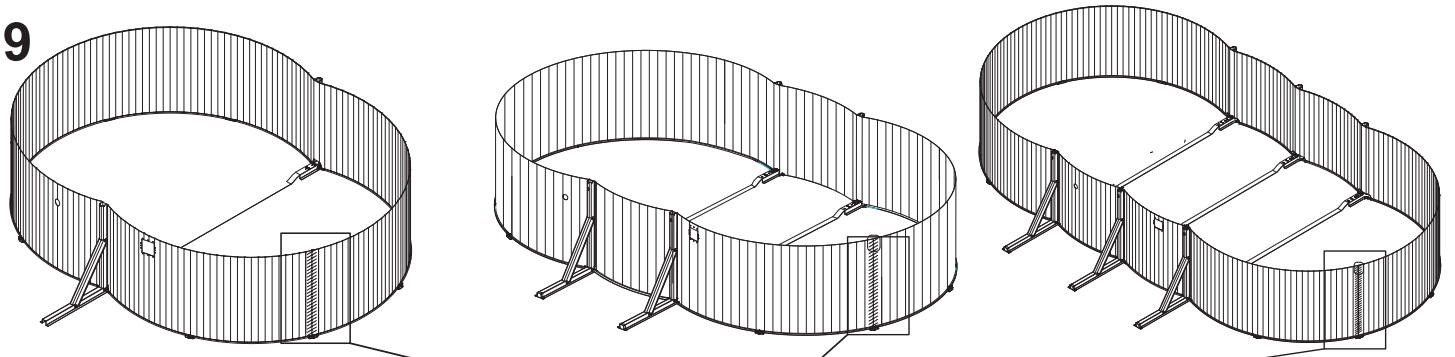
7



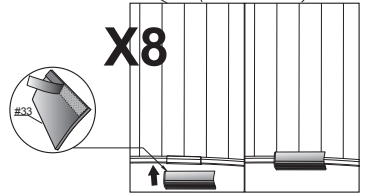
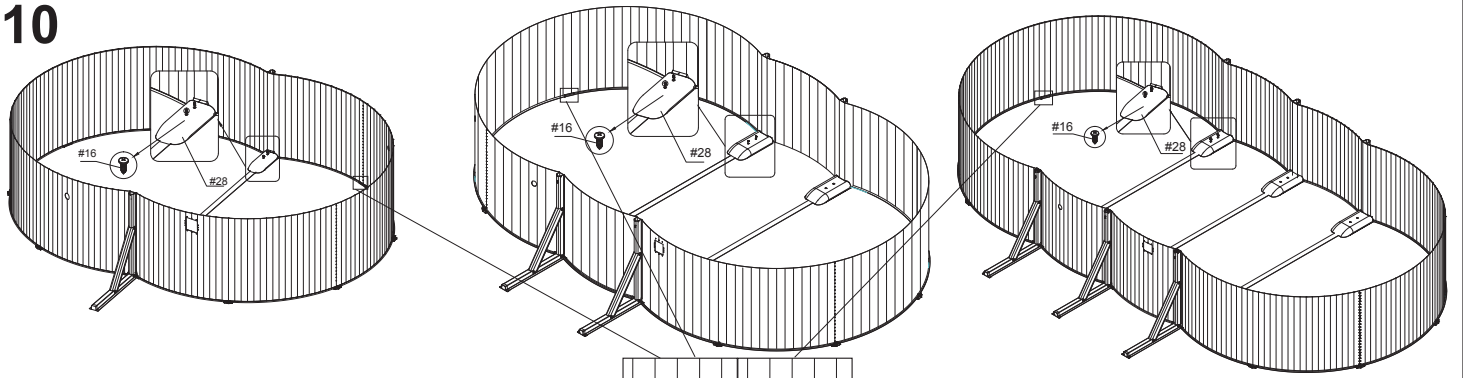
8



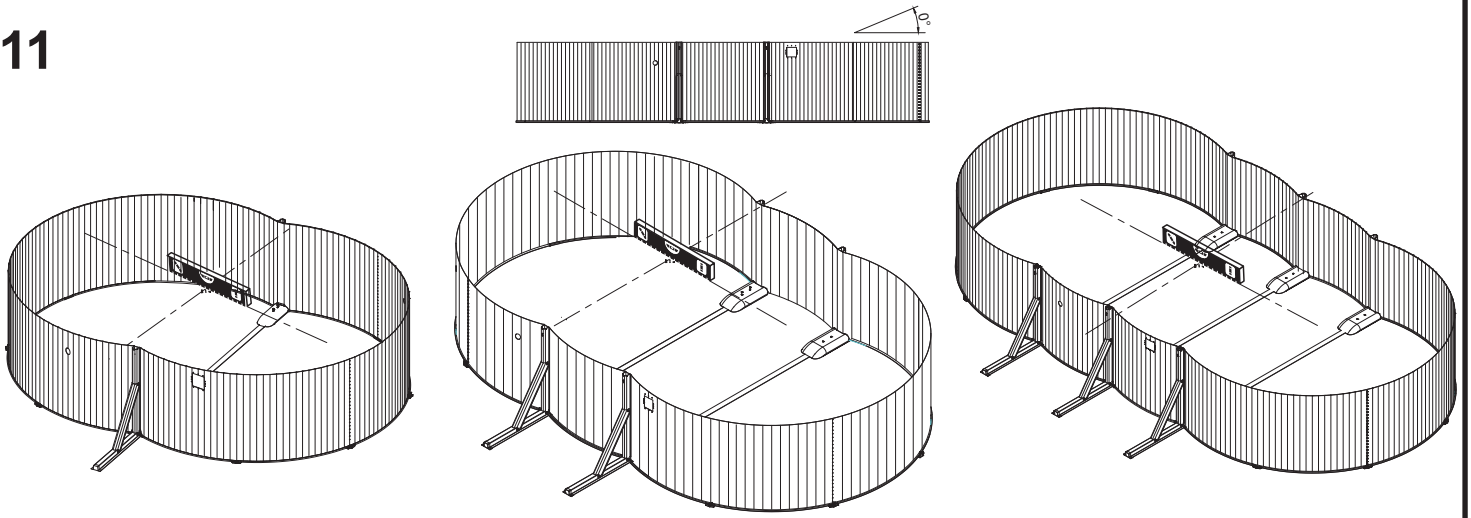
9



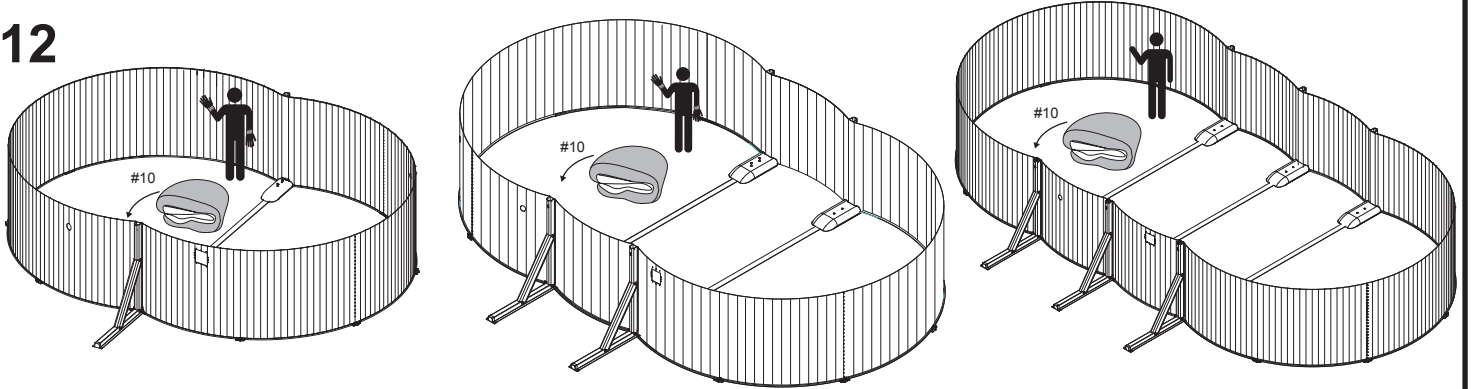
10



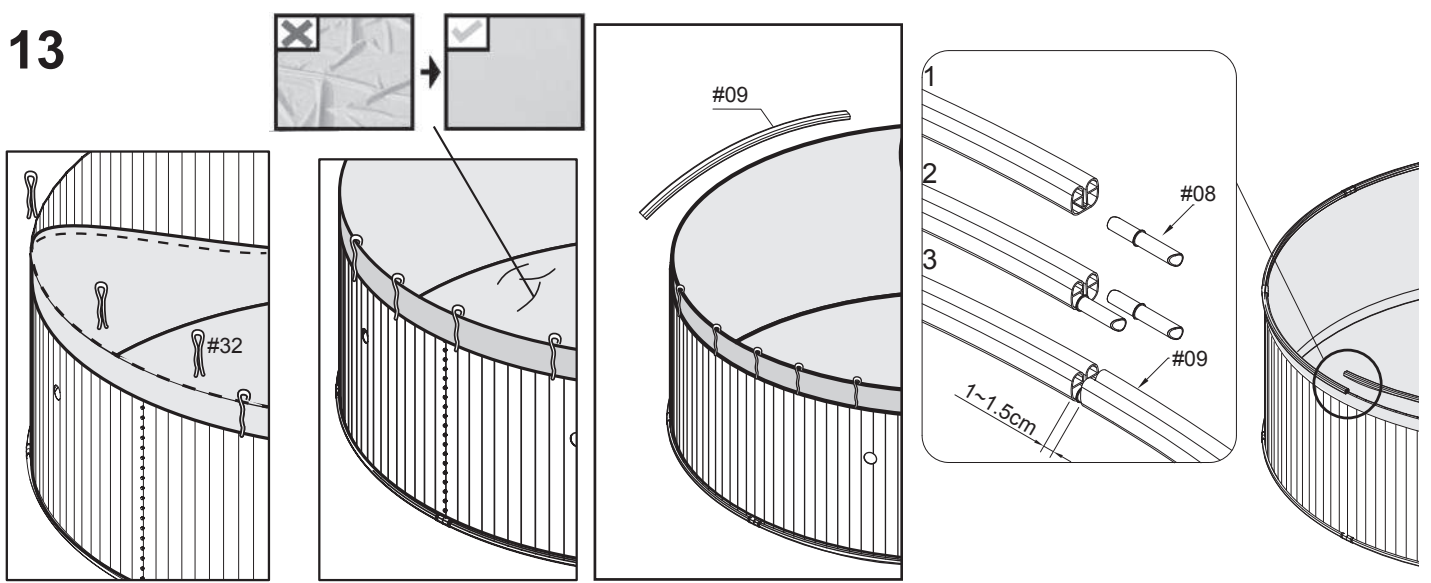
11



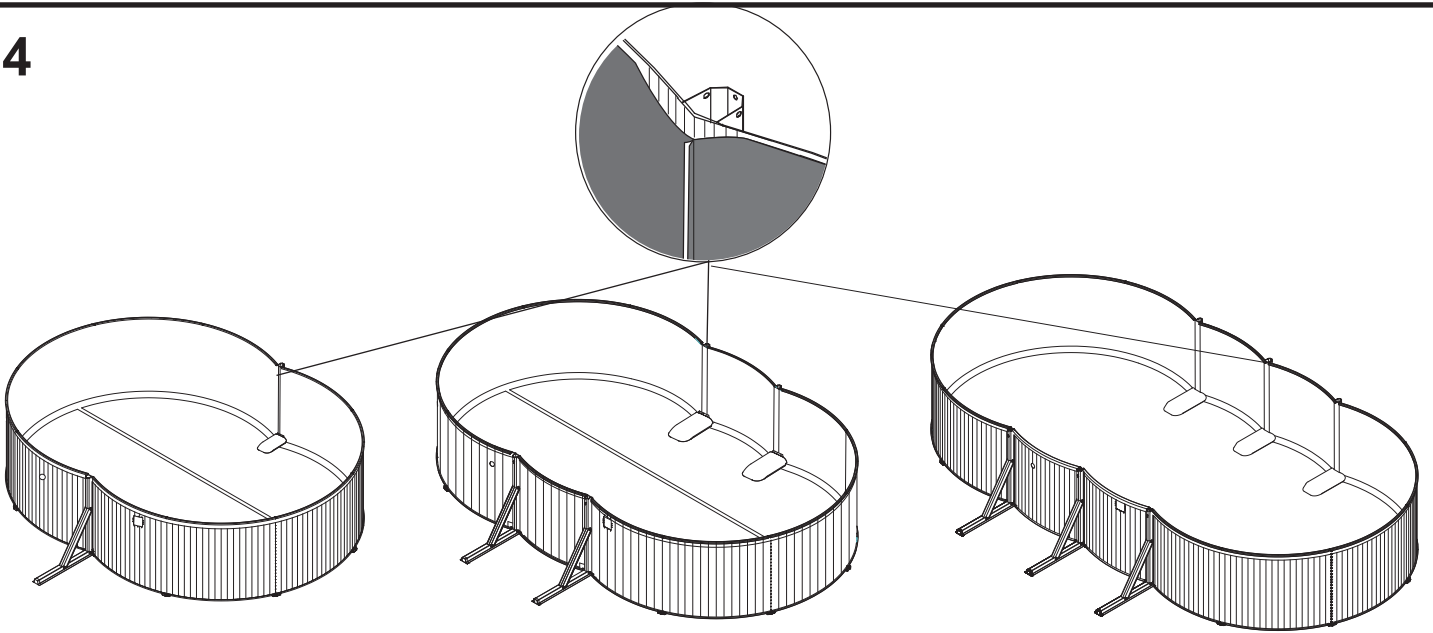
12



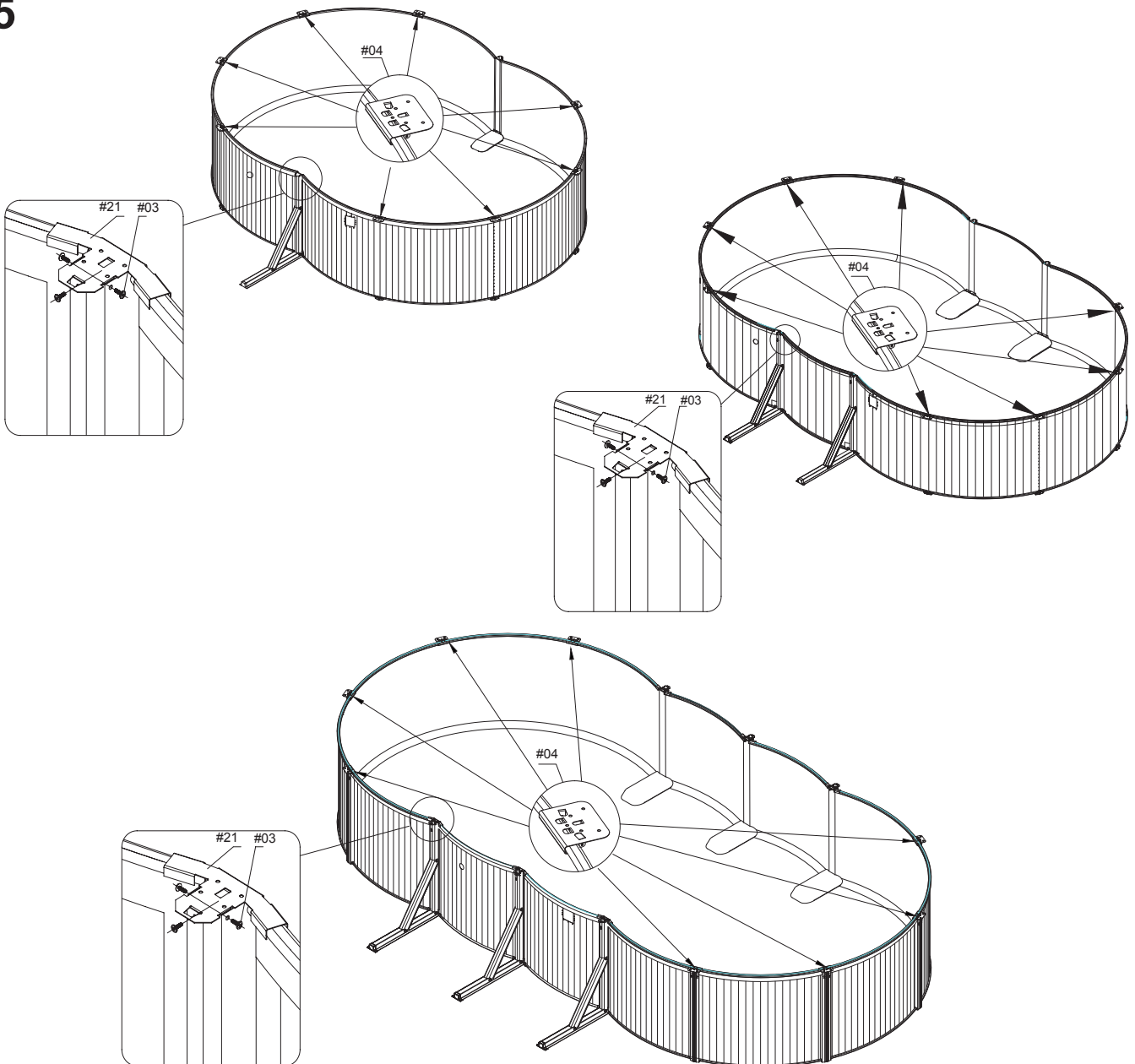
13

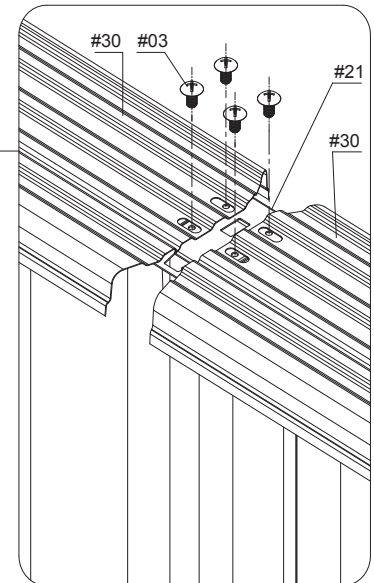
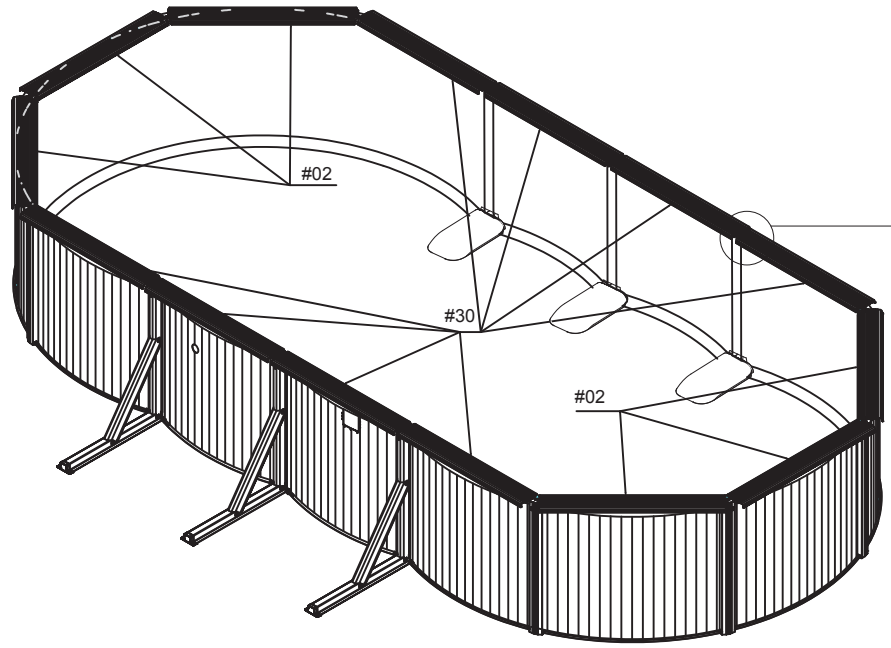
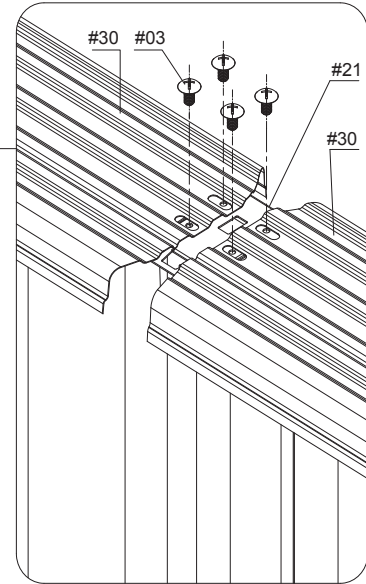
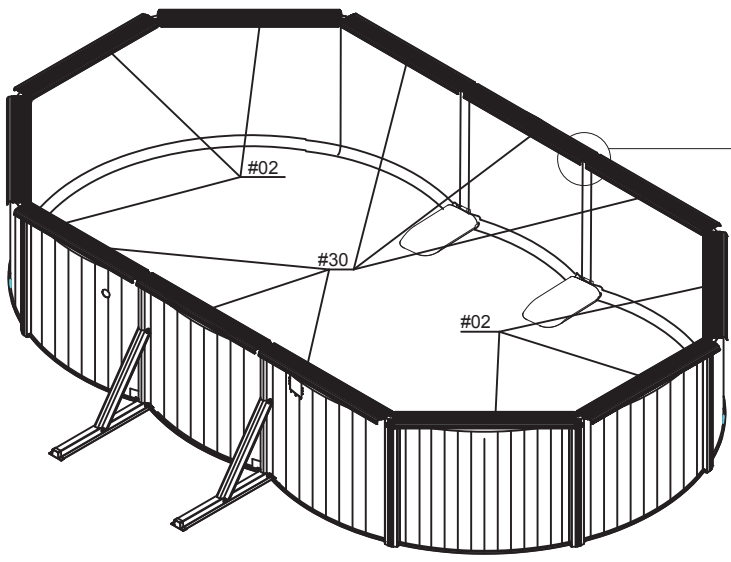
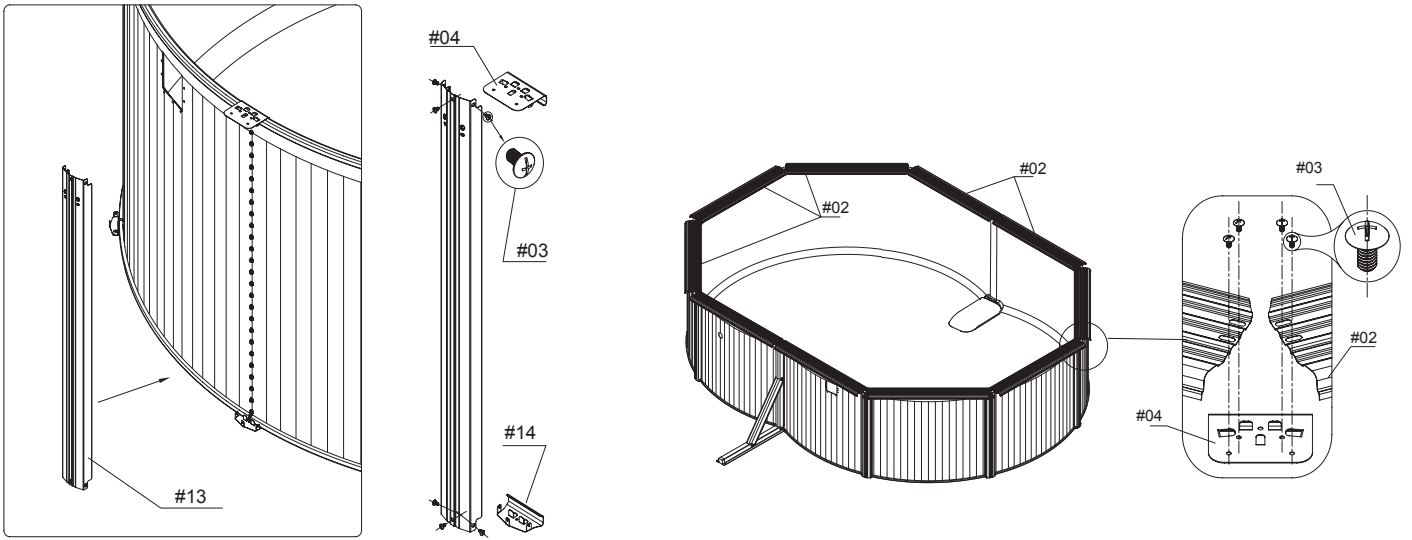


14



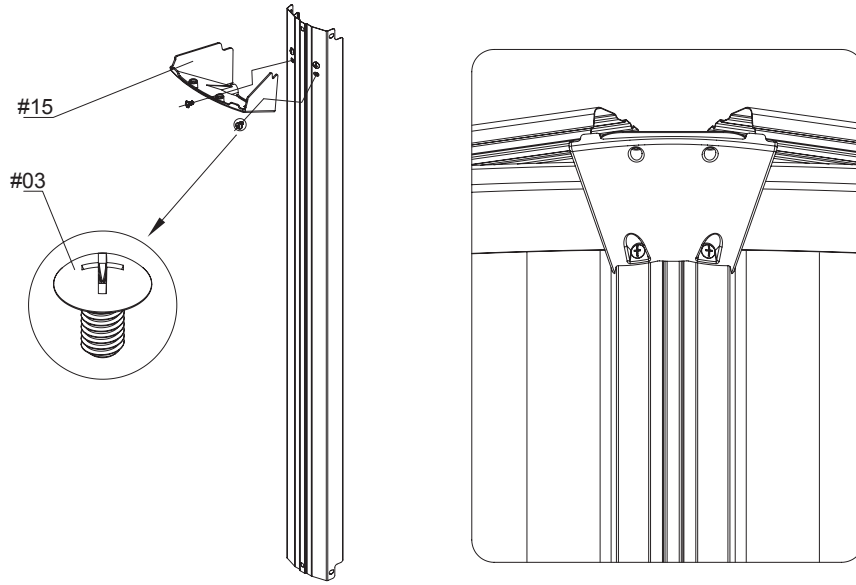
15



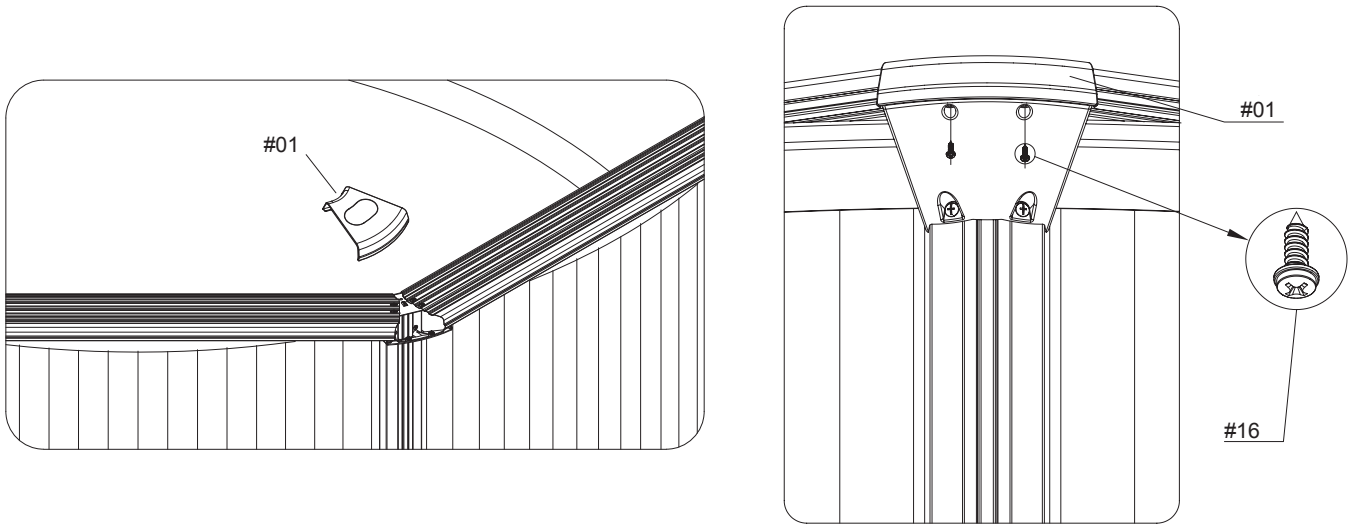




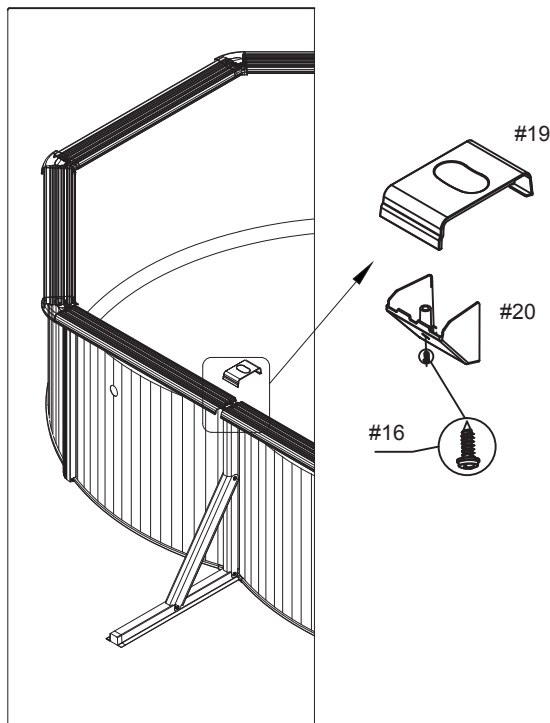
17



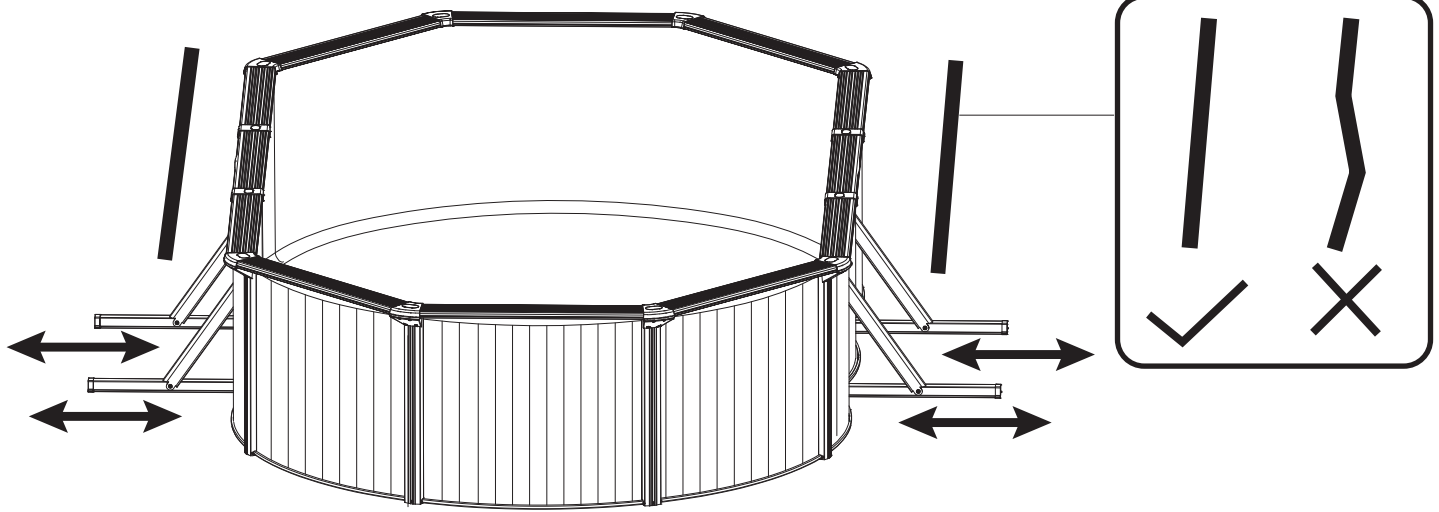
18



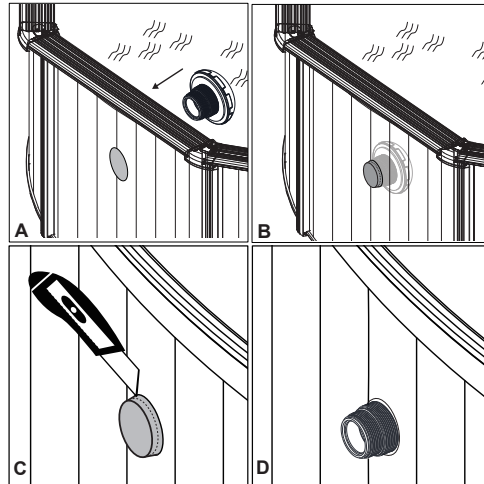
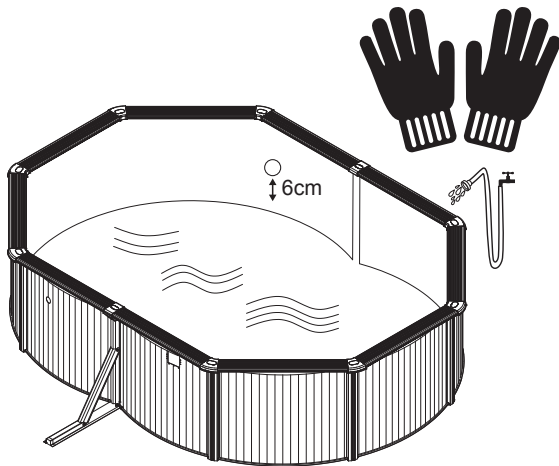
19



20



21



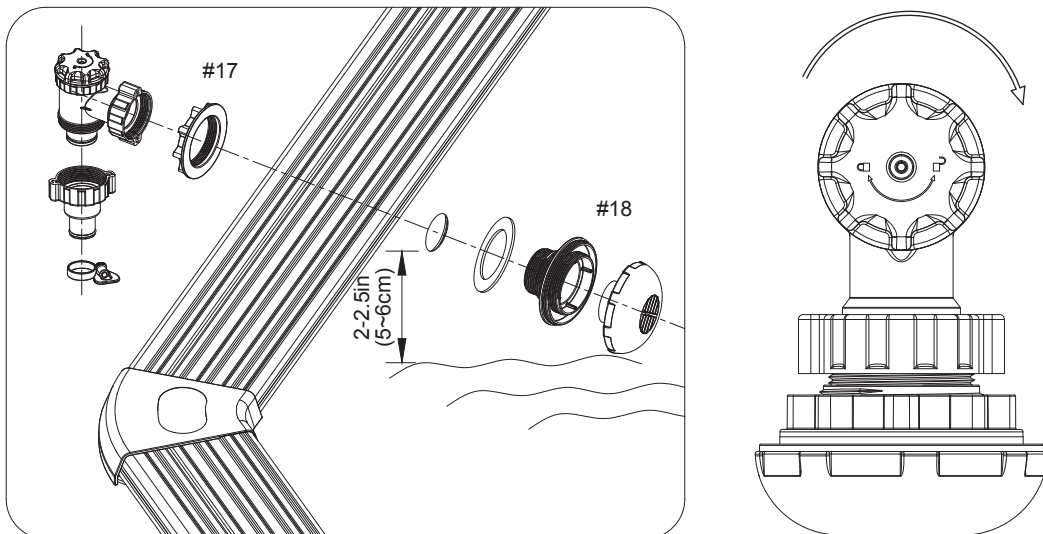
**NOTE:** Before connecting valve to the pool, fill the pool leaving 2-2.5 in (5-6cm) of space between the position of the connection valve and water surface.

**WARNING!** Never permanently install the connection valve before the water is within a few centimeters of them because the liner has to be properly taut from the pressure of the water.

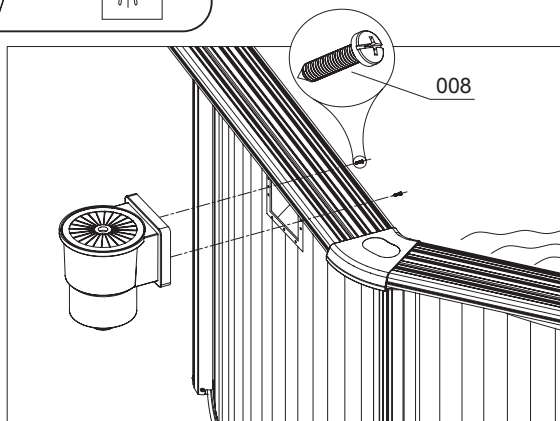
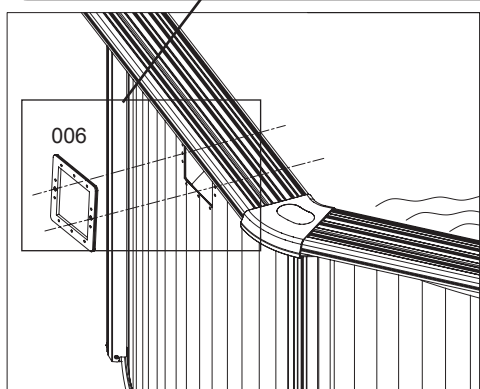
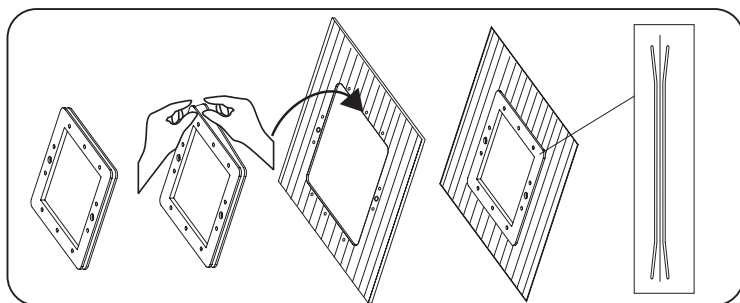
**NOTE:** Be careful the splinters or any sharp edges when cutting the pool.

**IMPORTANT:** Cutting more liner than necessary will damage and void the pool liner, so please trim with extra care.

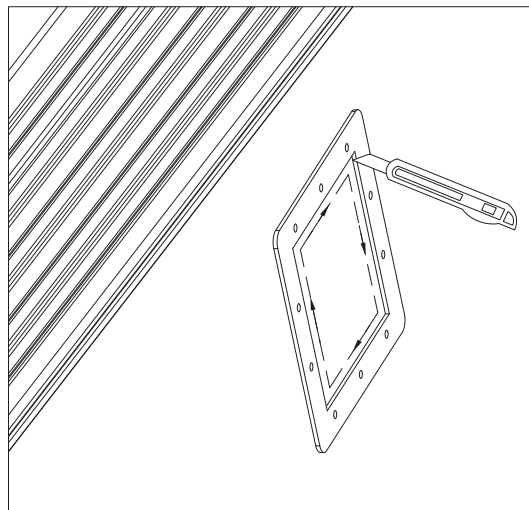
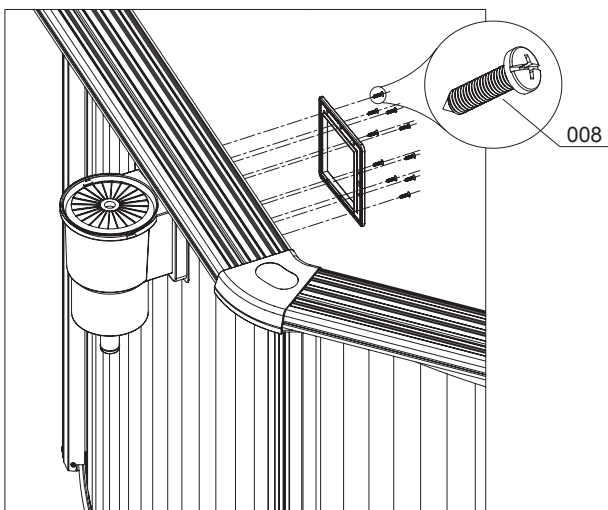
22



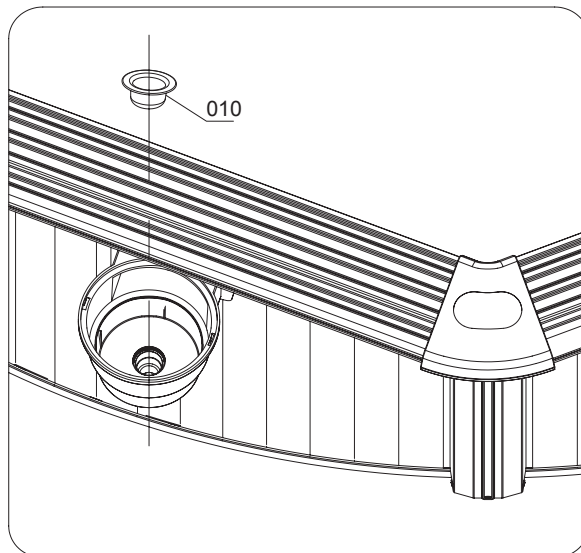
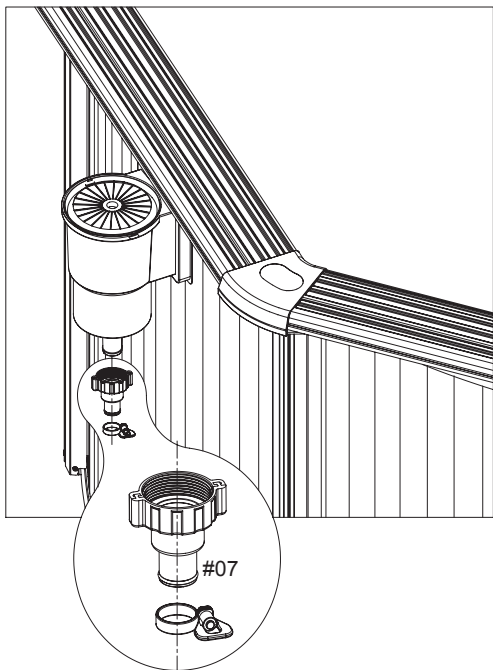
23



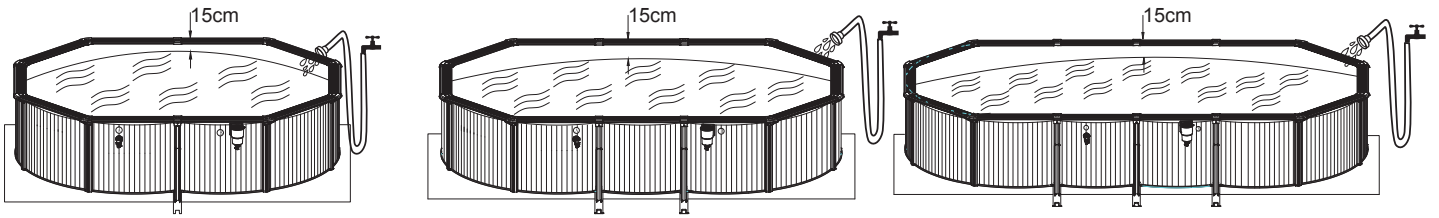
24



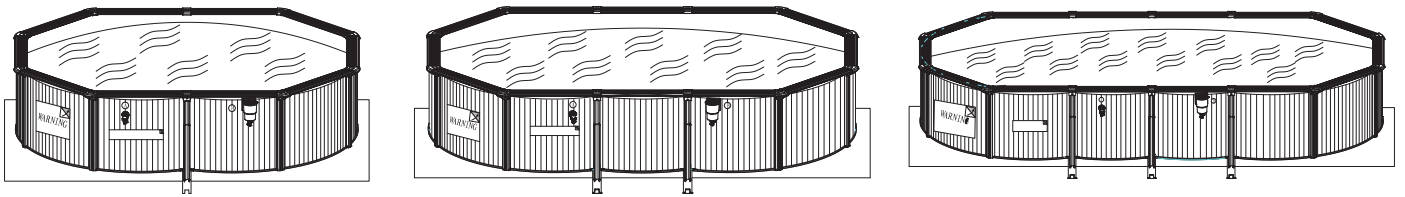
25



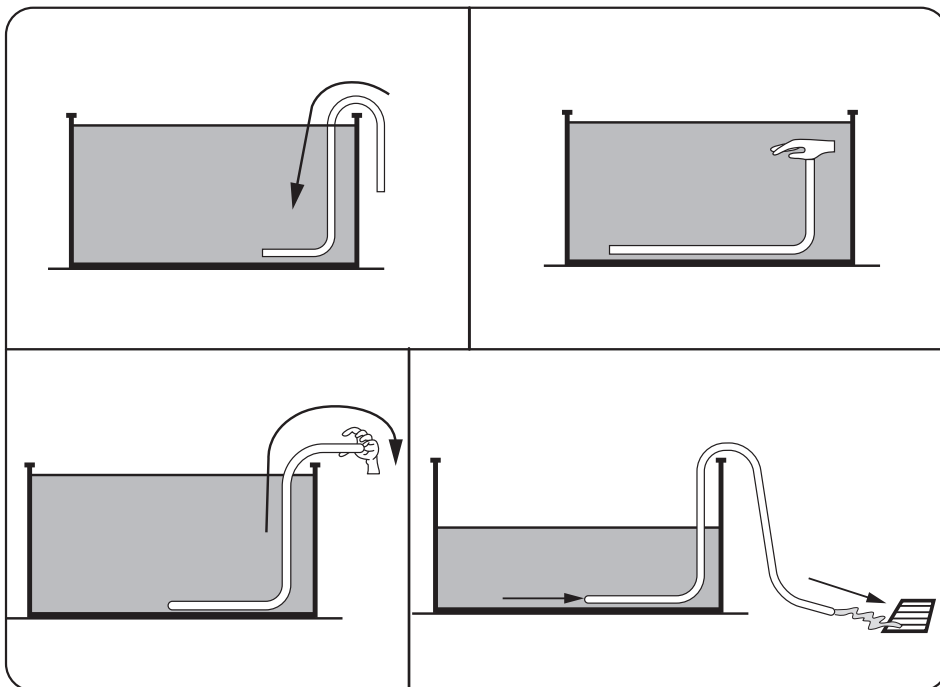
26



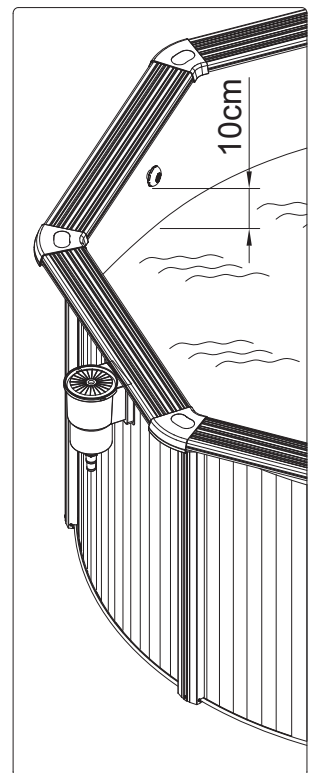
27



28



29



# Limited BESTWAY® Manufacturer's Warranty

The product you have purchased comes with a limited warranty. Bestway® stands behind our quality guarantee and assures, through a replacement warranty, your product will be free from manufacturer's defects.

To enact a warranty claim, this form must be completed and submitted with a copy of your receipt/purchase to your local Bestway After Sales Center. Before any claims can be accepted, the Bestway After Sales Center may ask you to send a piece of the defective part to the centre (e.g. a cut out of the production batch number / drain valve). Please contact your local Bestway After Sales Center before sending any documents. They will provide full instructions of what is needed for your claim.

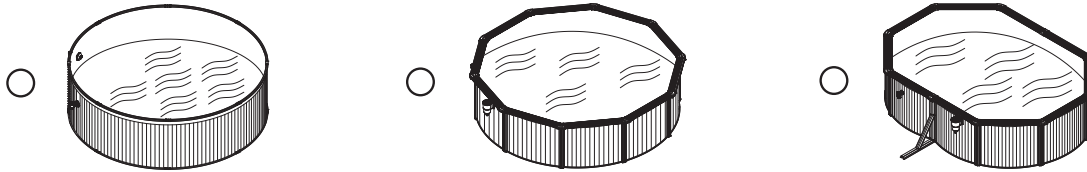
Bestway® is not responsible for economic loss due to water or chemical costs. Bestway® will not replace any products deemed to have been damaged due to negligence or having been used outside of the owner's manual guidelines.

Bestway's warranty covers manufacturing defects discovered while unpacking the product or during use, within the limits of a use and respectful of warnings and instructions given within the user's manual. This warranty applies only to product which have not been modified by any 3rd parties. The product must be stored and handled in accordance with the technical recommendations.

The limited warranty is valid as follows:

- 180 days from the original date of purchase for: top platforms; pool vertical supports; steel wall; top and bottom metal pieces; (for all Hydrium Steel Wall Pools), in addition to central support structures (for all Hydrium Titan only);
- 180 days from the original date of purchase for: pool liner; PVC rails;
- 30 days from the original date of purchase for: plastic connections; fittings; skimmer.

Please choose the type of your pool:



Date of purchase: \_\_\_\_\_ Customer Code Number: \_\_\_\_\_

TO: Bestway® Service Department Date: \_\_\_\_\_

FAX/E-MAIL/TEL: Please refer to your country according to the information found on the back cover or on our website: [www.bestwaycorp.com](http://www.bestwaycorp.com).

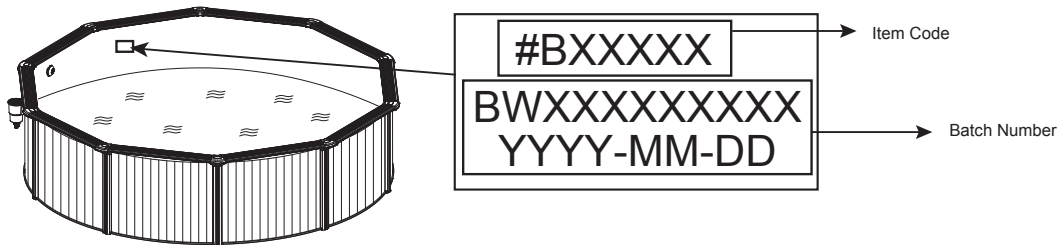
Please provide your address details in full. **Note:** Incomplete address details will result in delayed shipments. Bestway reserves the right to charge for redelivery of undelivered packages where the recipient is at fault.

## REQUIRED INFORMATION - PLEASE WRITE THE SHIPPING ADDRESS

Name: \_\_\_\_\_ Address: \_\_\_\_\_  
 Zip Code: \_\_\_\_\_ Retailer: \_\_\_\_\_  
 Country: \_\_\_\_\_ City: \_\_\_\_\_  
 Mobile: \_\_\_\_\_ Telephone: \_\_\_\_\_  
 Fax: \_\_\_\_\_ E-mail: \_\_\_\_\_

Please write the Batch Number and Item Code located on the liner.

Batch Number: \_\_\_\_\_ Item Code: \_\_\_\_\_



## Problem description

- Item is torn / Leaking
- Faulty welding
- Faulty upper ring
- Faulty drain valve
- Other (Please describe)
- Missing part (Please use the code for the missing part. This can be found in the owner's manual.)

\_\_\_\_\_  
 \_\_\_\_\_  
 \_\_\_\_\_

## **IMPORTANT:** ONLY THE DAMAGED PART WILL BE REPLACED, NOT THE COMPLETE SET.

Bestway reserves the right to request photographic evidence of defective parts, or to require sending the item for additional testing. In order to best assist you, we request all information you provide to be complete.

FOR FAQ, MANUALS, VIDEOS OR SPARE PARTS, PLEASE VISIT OUR WEBSITE: [www.bestwaycorp.com](http://www.bestwaycorp.com)  
 VIDEOS ARE ALSO AVAILABLE ON OUR BESTWAY CHANNEL ON YOU TUBE: [www.youtube.com/user/BestwayService](http://www.youtube.com/user/BestwayService)



# Bestway®



## PISCINES OVALES HYDRIUM™ MANUEL DE L'UTILISATEUR

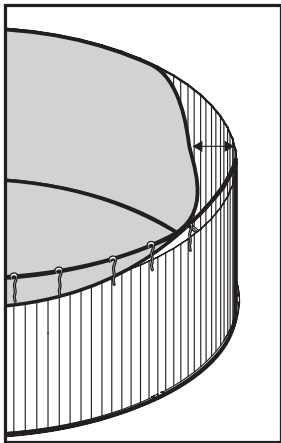
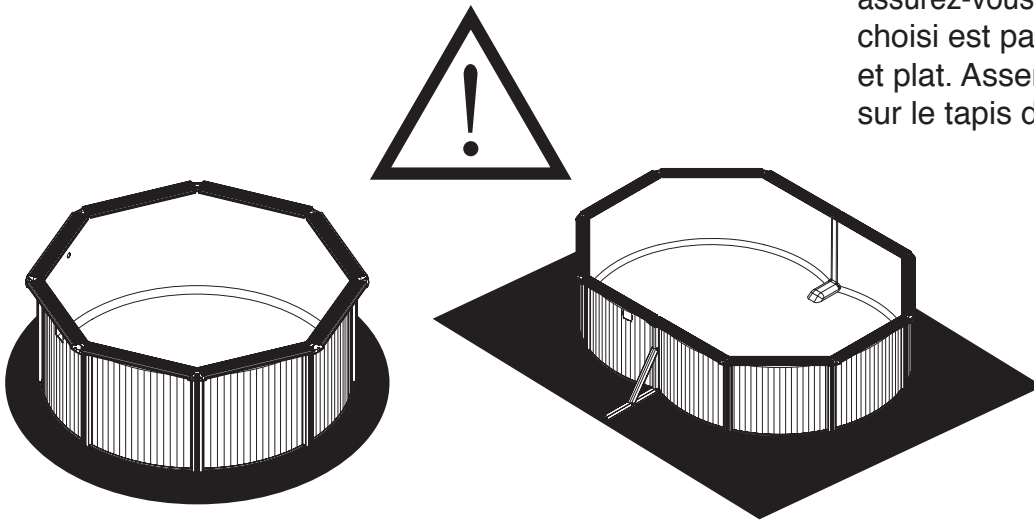
[www.bestwaycorp.com](http://www.bestwaycorp.com)

Visitez la chaîne YouTube de Bestway 



## ATTENTION!

Avant de monter votre piscine, assurez-vous que l'emplacement choisi est parfaitement ferme et plat. Assemblez la piscine sur le tapis de sol fourni.



**REMARQUE:** La bâche de la piscine à paroi en acier est conçue pour être plus petite que la paroi en acier pour des raisons techniques. Si vous avez du mal à monter la bâche, placez-la en plein soleil pendant une heure, elle sera alors plus facile à plier. Vous devriez être alors en mesure de monter la bâche pas à pas, tout en tirant dessus manuellement. Cette procédure n'abîmera pas la bâche.



# !AVERTISSEMENT!



## À n'utiliser qu'à l'extérieur.

### Apprenez à vos enfants à nager.

### Ne plongez, sautez ou glissez jamais dans la piscine.

### La surveillance d'un adulte est toujours requise. Les parents devraient apprendre la RCP.

### Ne nagez jamais seul.

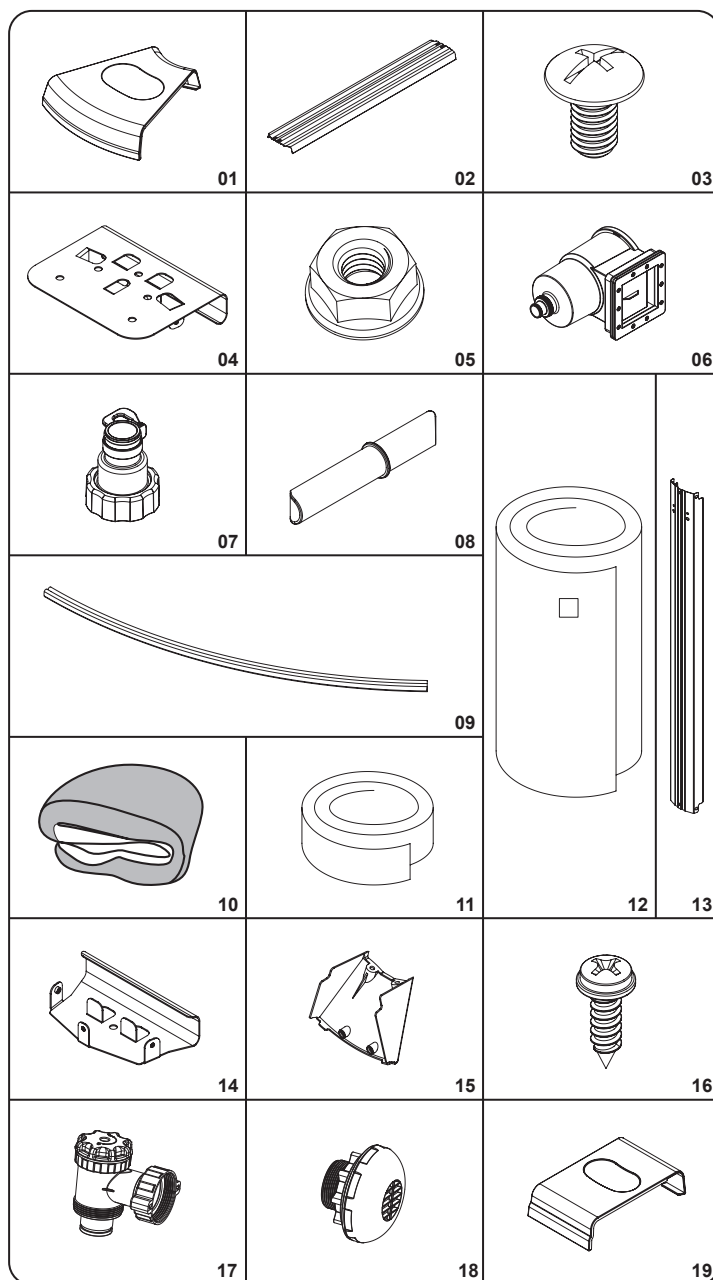
- Faites en sorte que toutes les enceintes, radios et autres appareils électriques soient toujours loin de la piscine.
- Quand vous touchez le filtre, la pompe ou des parties électriques, vérifiez que le sol sous vos pieds soit bien sec.
- Toutes les prises de courant doivent avoir un disjoncteur de fuite de terre et les raccordements doivent se trouver à au moins 5 pieds (1,52 m) du périmètre extérieur des parois de la piscine. À partir de 5-10 pieds (1,52-3,05 m), il doit y avoir soit un raccordement fixe (boîtier de raccordement) soit un raccordement avec verrou tournant équipé d'un disjoncteur de fuite de terre.
- Branchez les cordons électriques uniquement sur une prise de terre à 3 fils.
- Tous les objets pouvant se casser doivent rester loin de la zone de la piscine.
- Ne mélangez pas consommation d'alcool et activités dans la piscine. Ne laissez jamais personne nager, plonger ou glisser sous l'influence d'alcool ou de drogues.
- Il existe un grave risque d'électrocution si vous installez votre pompe ou votre filtre sur une terrasse. La pompe ou le filtre pourrait tomber dans l'eau en provoquant une électrocution ou un choc grave. Ne les installez pas sur une terrasse ou une autre surface, au-dessus ou légèrement en dessous du rail supérieur de la piscine.
- N'utilisez pas la piscine quand les conditions météorologiques sont mauvaises, ex. tempêtes électriques, tornades, etc.
- Faites attention aux lignes de courant suspendues lorsque vous videz votre piscine ou que vous utilisez une tige télescopique.
- N'autorisez personne à plonger, grimper, s'asseoir ou se tenir sur les rails supérieurs des piscines.
- N'autorisez pas les bousculades et le chahut.
- Ne faites pas d'apnée prolongée car vous pourriez vous sentir mal et vous noyer.
- Installez une/des échelle(s) ou des escaliers pour entrer et sortir de la piscine.
- La terrasse doit rester propre et libre d'objets qui pourraient vous faire trébucher.
- Vérifiez régulièrement si la terrasse présente des signes d'usure ou des boulons dévissés car cela la rendrait dangereuse.
- Expliquez aux utilisateurs de la piscine comme utiliser correctement la ou les échelles et les escaliers.
- Montez ou descendez l'échelle de face.
- N'autorisez qu'une seule personne à la fois sur l'échelle.
- Contrôlez régulièrement tous les écrous et boulons pour être certain que l'échelle est bien solide.
- Enlevez ou sécurisez l'échelle pour éviter que quelqu'un entre dans la piscine quand elle n'est pas utilisée.
- Veuillez contacter le concessionnaire ou le fabricant de la piscine pour obtenir des panneaux de sécurité supplémentaires si cela s'avère nécessaire.
- Adressez-vous à un professionnel de piscine certifié pour l'entretien de la piscine.
- Tout équipement raccordé aux systèmes de circulation doit être positionné de manière à éviter qu'il soit utilisé comme accès à la piscine par les enfants en bas âge.
- L'installation doit être conforme aux codes de l'autorité en vigueur et peut nécessiter des permis pour la construction, la plomberie, l'électricité, la délimitation, etc.
- La piscine doit être située à une distance minimale de 6 pieds (1,83 m) de toute prise électrique.
- Toutes les prises de 125 volts, 15 et 20 A situées dans un rayon de 20 pieds (6,0 m) de la piscine doivent être protégées par un disjoncteur de fuite de terre. La distance de 20 pieds (6 m) est mesurée en tenant compte de la distance à vol d'oiseau la plus courte que le cordon suivrait sans traverser un plancher, mur, plafond, porte, fenêtre ou autre barrière permanente.
- Avant d'utiliser la piscine, l'installateur doit apposer tous les panneaux d'interdiction de plonger et tous les panneaux de sécurité conformément à la notice d'installation afin qu'ils soient bien visibles.
- Une barrière est nécessaire pour protéger contre une éventuelle noyade et une quasi-noyade mais les barrières ne remplacent pas la surveillance constante des enfants.
- Il faut préparer une liste des numéros de téléphone de secours, comme le poste de police le plus proche, les pompiers, l'ambulance et/ou une unité de sauvetage. Ces numéros doivent se trouver à côté du téléphone le plus proche de la piscine.
- Les jouets, chaises, tables ou objets similaires sur lesquels un enfant en bas âge pourrait monter doivent se trouver à au moins 4 pieds (1219 mm) de la piscine. Si l'installateur utilise une terrasse, celle-ci doit être conforme à la norme APSP-8.
- Un équipement de sauvetage basique, y compris l'un des suivants, doit toujours se trouver à portée de main: a. Une tige légère, résistante et rigide (bâton de berger) mesurant au moins

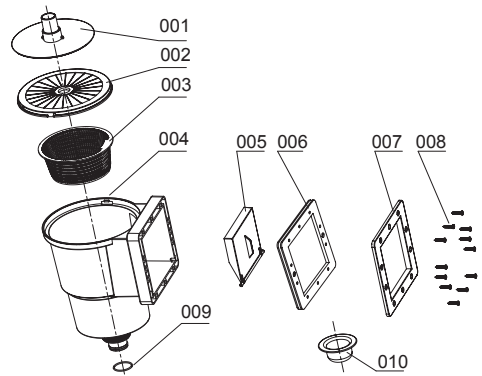
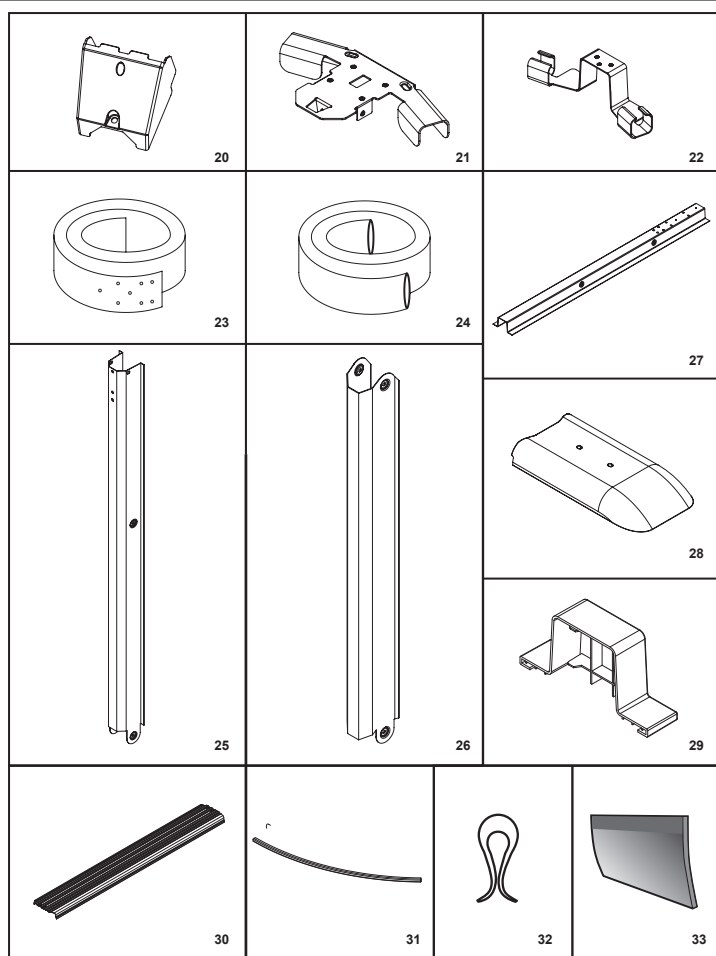
12 pieds (3,66 m). b. Une corde d'au moins ¼ in. (6 mm) de diamètre et mesurant 1 fois ½ la largeur maximale de la piscine ou 50 pieds (15,24 m), en choisissant la mesure la plus petite, ayant été solidement attachée à une bouée agréée par les sauveteurs ou des dispositifs de flottaison agréés de même type.

- La couverture de la piscine n'est pas conçue comme barrière de sécurité.
- Veuillez utiliser un éclairage artificiel quand vous utilisez la piscine la nuit, pour illuminer tous les panneaux de sécurité, les échelles, les marches, les terrasses et les parcours. La piscine est susceptible de s'user et de s'abîmer. Si elle n'est pas entretenue correctement, certains types de détérioration excessive ou accélérée peuvent porter à une panne de la structure de la piscine qui pourrait libérer de grandes quantités d'eau susceptibles de provoquer des blessures ou des dégâts.
- Il faut toujours pouvoir voir le fond de la piscine du périmètre extérieur de celle-ci.
- L'installateur de la bache en vinyle doit apposer sur la bache d'origine ou celle de rechange, ou sur la structure de la piscine, tous les panneaux de sécurité conformément aux instructions du fabricant. Si vous avez une pompe de filtration, reportez-vous à la notice d'instructions de la pompe.
- L'échelle doit être placée sur une base solide et conformément au mode d'emploi de la piscine.
- Il existe des publications qui décrivent le risque de se noyer et de rester coincé ainsi que les accidents de plongée.
- Des publications sont disponibles au sujet de la sécurité dans les piscines, notamment les brochures de l'Association des professionnels de piscines et spas (APSP) intitulées: The Sensible Way to Enjoy Your Aboveground/Onground Swimming Pool, Children Aren't Waterproof, Pool and Spa Emergency Procedures for Infants and Children, Layers of Protection, et la toute dernière édition du Code des barrières du modèle ANSI/APSP-8 pour les piscines privées, les spas et les bains chauds.

Veuillez lire attentivement ce document et conservez-le pour pouvoir le consulter en cas de besoin.

## Référence des pièces

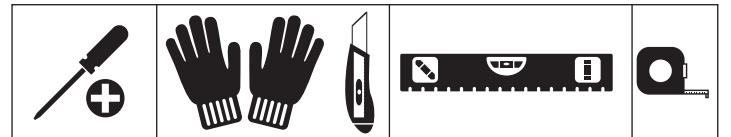




#### LISTE DES PIÈCES DU SKIMMER

N°	Nom	Quantité	Pièce détachée n°
001	Fixation du tuyau	1	P6774
002	Bâche	1	P6991
003	Panier	1	P6776
004	Skimmer	1	P6777
005	Seuil	1	P6992
006	Joint d'étanchéité	1	P6993
007	Plaque de recouvrement	1	P6780
008	Vis M5x22	12	/
009	Joint torique	1	/
010	Bouchon	1	P6813

#### Outils requis (pas fournis avec) :



L'installation prend habituellement 3 heures environ avec 2-3 personnes, à l'exclusion des ouvrages de terre et du remplissage.

N°	Nom	Matière	16.4' x 12' x 48"		20' x 12' x 48"		24' x 12' x 48"	
			Q.té	Pièce détachée n°	Q.té	Pièce détachée n°	Q.té	Pièce détachée n°
1	Protection du joint supérieur	PP	8	P6743	8	P6743	8	P6743
2	Longue plateforme du haut	Acier revêtu	10	P6745	6	P6745	6	P6745
3	Boulon M6x11	Acier inoxydable 304	170	P6746	214	P6746	260	P6746
4	Pièce métallique du haut	Acier	8	P6747	8	P6747	8	P6747
5	Écrou M6	Acier inoxydable 304	52	P6748	74	P6748	98	P6748
6	Skimmer		1	P6762	1	P6762	1	P6762
7	Adaptateur de tuyau		2	F6H202	2	F6H202	2	F6H202
8	Raccord de rail	PP	32	P6990	32	P6990	32	P6990
9	Rail long	PVC	20	P61236	12	P61237	12	P61237
10	Bâche	PVC	1	56286ASS16	1	56369ASS16	1	56604ASS17
11	Ruban adhésif 3M		1	P6756	1	P6756	1	P6756
12	Paroi en acier	Acier revêtu	1	P61447 (Uniquement pour les États-Unis)	1	P61448 (Uniquement pour les États-Unis)	1	P61449 (Uniquement pour les États-Unis)
13	Support vertical de piscine	Acier revêtu	8	P6757	8	P6757	8	P6757
14	Pièce métallique du fond	Acier	8	P6761	8	P6761	8	P6761
15	Protection du joint du fond	PP	8	P6759	8	P6759	8	P6759
16	Vis ST4 x14	Acier inoxydable 304	22	P61491	28	P61491	34	P61491
17	Vanne de commande		1	P6(H1)1229	1	P6(H1)1229	1	P6(H1)1229
18	Crépine d'entrée de piscine		1	P6H1317	1	P6H1317	1	P6H1317
19	Joint latéral du haut	PP	2	P6800	4	P6800	6	P6800
20	Joint latéral du bas	PP	2	P6801	4	P6801	6	P6801
21	Pièce métallique latérale du haut	Acier	2	P6802	4	P6802	6	P6802
22	Pièce métallique latérale du bas	Acier	2	P6826	4	P6826	6	P6826
23	Courroie en acier	Acier	1	P6810	2	P6810	3	P6810
24	Protection de la courroie en acier	PVC	1	P6811	2	P6811	3	P6811
25	Support vertical latéral	Acier revêtu	2	P61249	4	P61249	6	P61249
26	Support oblique latéral	Acier revêtu	2	P61250	4	P61250	6	P61250
27	Support latéral du bas	Acier	2	P6827	4	P6827	6	P6827
28	Protection du bas à l'intérieur	PP	2	P6828	4	P6828	6	P6828
29	Protection latérale du bas	PP	2	P61251	4	P61251	6	P61251
30	Plateforme courte du haut	Acier revêtu			6	P61234	8	P61234
31	Rail court	PVC			12	P61238	16	P61238
32	Attaches	Plastique	20		20		20	
33	Protection mousse	EPE	8	P61473	8	P61473	8	P61473

## CHOIX D'UN EMPLACEMENT ADAPTÉ

# ATTENTION: Le nivellement est extrêmement important.

Choisissez soigneusement l'emplacement de votre nouvelle piscine. C'est la décision la plus importante que vous devrez prendre pour garantir la sécurité et le succès de l'installation de votre piscine. Un mauvais emplacement peut entraîner des problèmes futurs car il peut provoquer des blessures, la mort ou des pertes financières. Lisez attentivement la liste de contrôle ci-dessous quand vous choisissez l'endroit où installer votre piscine.

## Lieux adaptés:

Sol plat, nivelé, solide et sec qui permette un accès facile de tous les côtés de la piscine

Exposition directe à la lumière du soleil, de préférence celle du matin

Accès en toute sûreté à l'électricité pour l'utilisation de la pompe filtrante et autres accessoires de la piscine

Accès aisé à une alimentation en eau

À l'abri du vent

## Inacceptable:

Les pentes, les sols accidentés

Les terrains sablonneux, pierreux ou détrempés

Près d'une construction en bois (ex: pergolas et terrasses en bois)

Près des arbres

Fils électriques et cordes à linge passant au-dessus

Drains, fils électriques ou conduites de gaz sous le site

Vidange mauvaise ou limitée

Emplacements présentant un risque élevé d'inondation

Présence de vents forts

**REMARQUE:** Enlevez la hauteur de terre plutôt que remplir le terrain trop bas. Il faut enlever toute la pelouse et toutes les mottes situées sous la surface de la piscine.

## MONTAGE DE LA PISCINE

Veillez vous reporter aux étapes du schéma.

## ENTRETIEN DE LA PISCINE

**Attention:** Si vous ne respectez pas ces consignes d'entretien, vous mettez en danger votre santé, et en particulier celle des enfants.

**REMARQUE:** La pompe sert à faire circuler l'eau et à filtrer les petites particules. Pour que l'eau de votre piscine reste propre et saine, vous devez également ajouter des produits chimiques.

1. Maintenez la piscine toujours propre et utilisez les produits chimiques corrects. L'eau insalubre est un danger sérieux pour la santé.
2. Maintenez le pH de la piscine entre 7,4 et 7,6.
3. Nettoyez régulièrement la bache en PVC avec des brosses non abrasives ou un aspirateur de piscine.
4. Durant la saison, il faut faire fonctionner le système de filtration de l'eau pendant suffisamment longtemps chaque jour pour nettoyer tout le volume de l'eau dans la piscine.
5. Contrôlez régulièrement la cartouche du filtre (ou le sable dans un filtre à sable) et remplacez les cartouches sales (ou le sable).
6. Vérifiez régulièrement que les vis, les boulons et toutes les pièces métalliques ne soient pas rouillés. Remplacez-les si nécessaire.
7. S'il pleut, vérifiez que le niveau de l'eau ne dépasse pas le niveau indiqué. (Figure 26,27) Si l'eau dépasse les niveaux indiqués, vidangez la piscine jusqu'au niveau indiqué.
8. Ne faites pas fonctionner la pompe quand vous utilisez la piscine.
9. Couvrez la piscine quand vous ne l'utilisez pas.

**ATTENTION:** Ne laissez pas la piscine vide à l'extérieur.

## PRÉPARATION POUR L'HIVER

Si vous ne souhaitez pas démonter la piscine durant l'hiver, suivre les instructions suivantes:

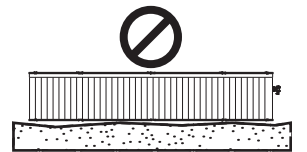
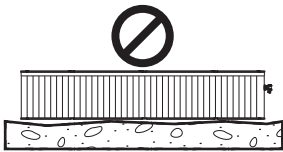
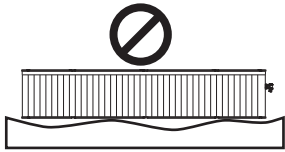
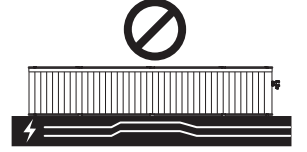
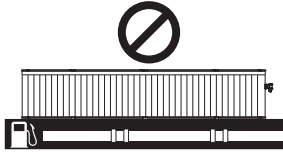
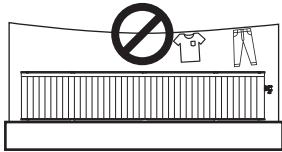
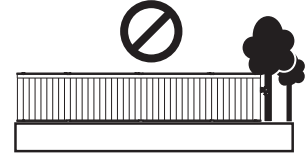
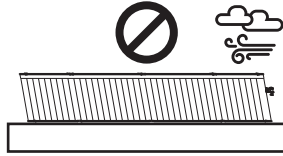
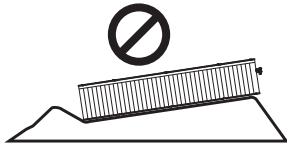
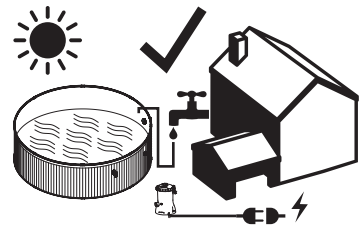
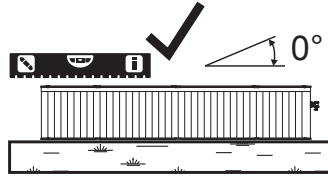
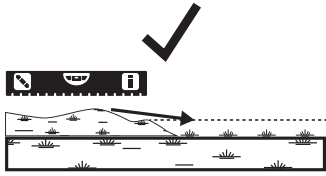
**IMPORTANT:** Ne vidangez pas toute l'eau de la piscine. Si vous le faites, la piscine pourrait être endommagée par un vent fort.

Vidangez l'eau jusqu'à 10 cm en dessous de la vanne d'entrée sur la paroi de la piscine.

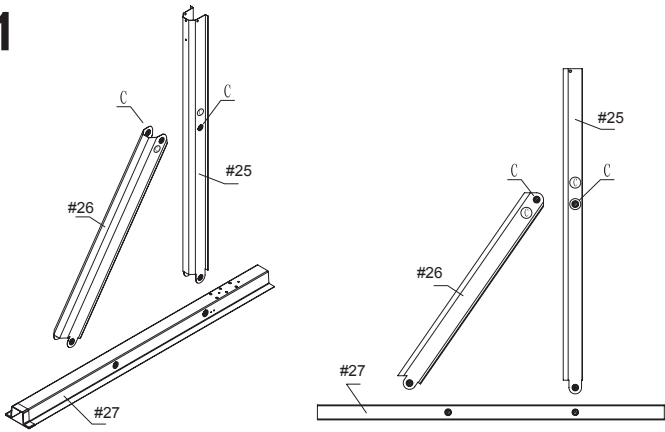
1. Vidangez l'eau jusqu'à 10 cm en dessous de la vanne d'entrée sur la paroi de la piscine. Vous pouvez utiliser une pompe ou un tuyau d'arrosage (Figure 28,29).
2. Traitez l'eau de la piscine avec un produit chimique adapté.
3. Enlevez le système de filtration de la piscine. Vous pouvez laisser les entrées/sorties fixées sur la piscine.
4. Retirer les autres accessoires et les conserver dans un lieu frais et sec.
5. Recouvrir la piscine avec sa protection.

Si vous souhaitez démonter la piscine pendant l'hiver, veuillez respecter les instructions suivantes:

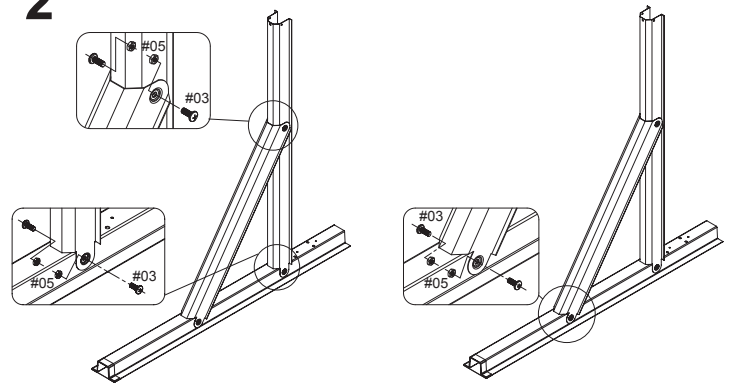
1. Vidangez la piscine avec un tuyau d'arrosage ou utilisez une pompe de vidange pour vider la piscine (Figure 28).
2. Nettoyez toutes les pièces de la piscine avec une éponge et un savon au pH neutre. Séchez-les et rangez-les dans un endroit propre et sec.



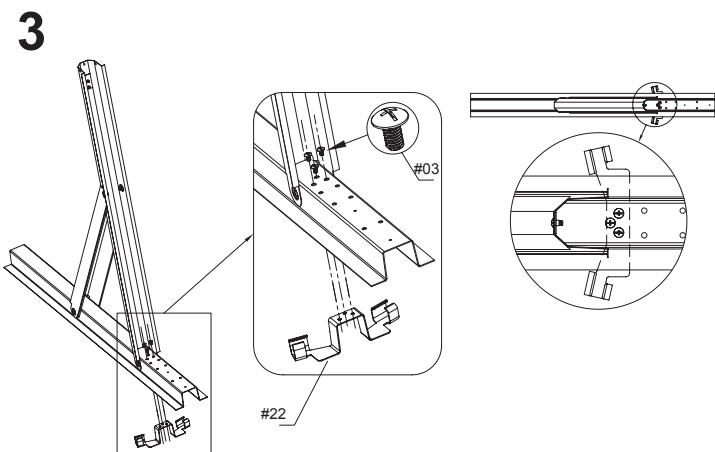
1



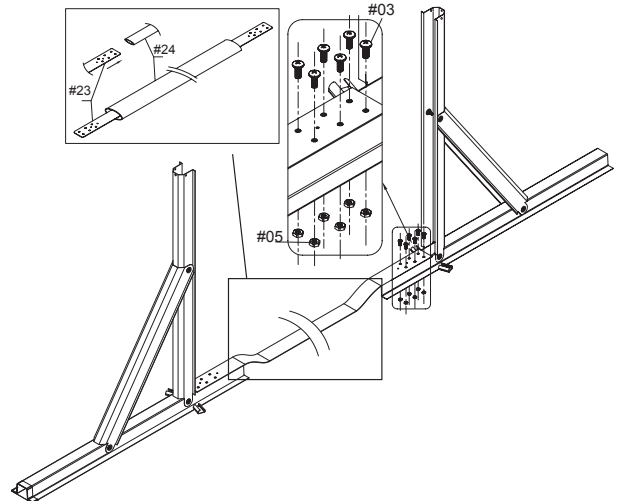
2



3

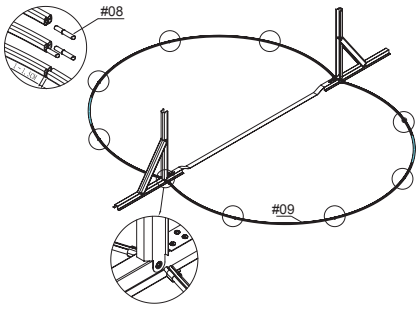


4

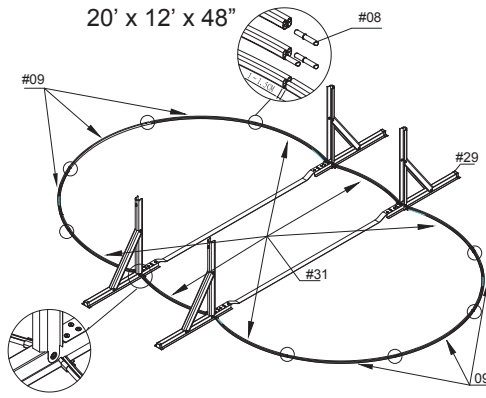


5

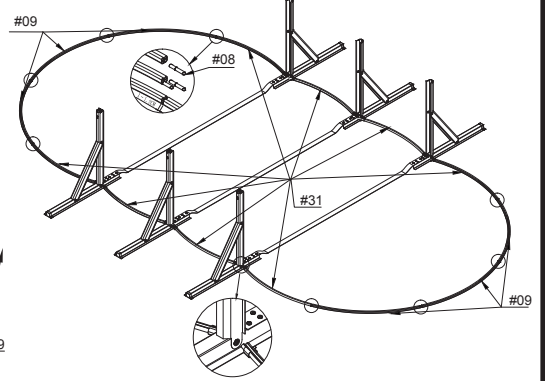
16.4' x 12' x 48"



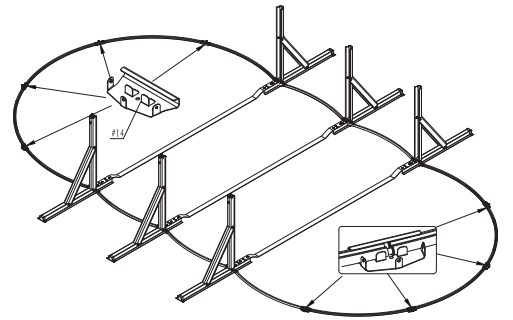
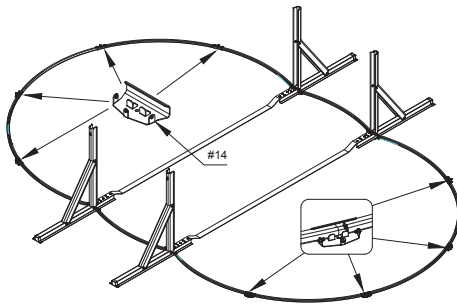
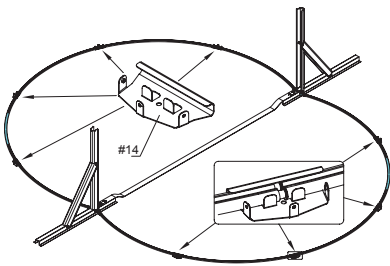
20' x 12' x 48"



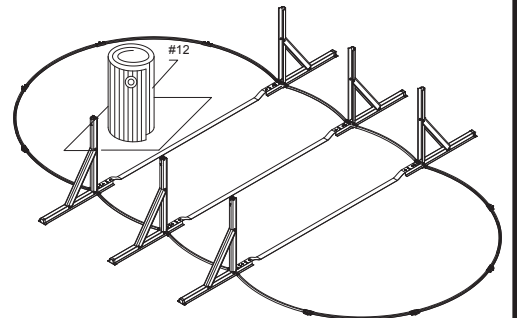
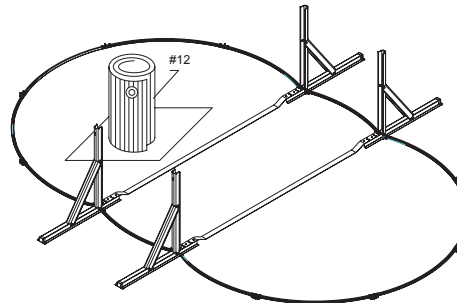
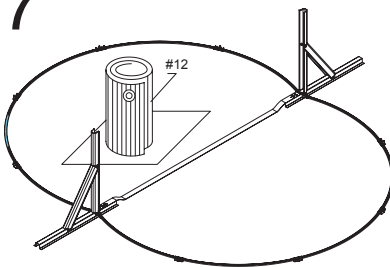
24' x 12' x 48"



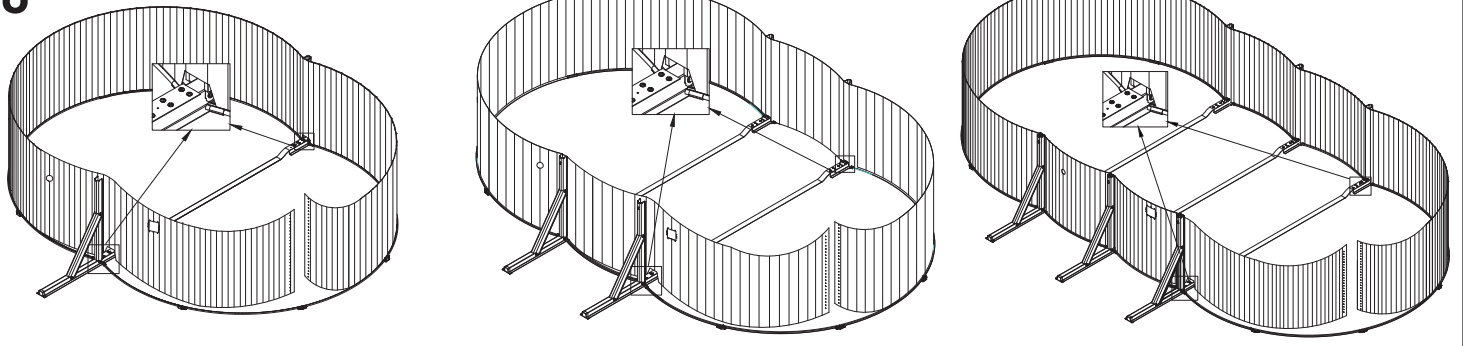
6



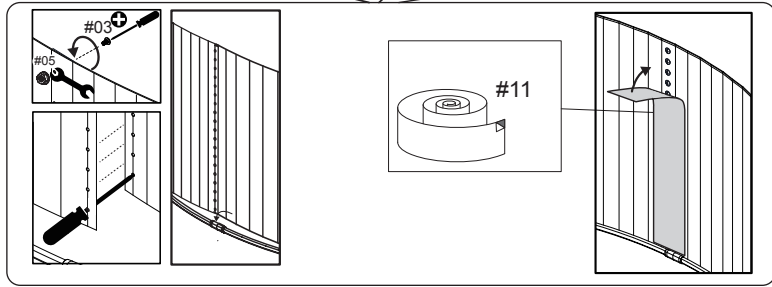
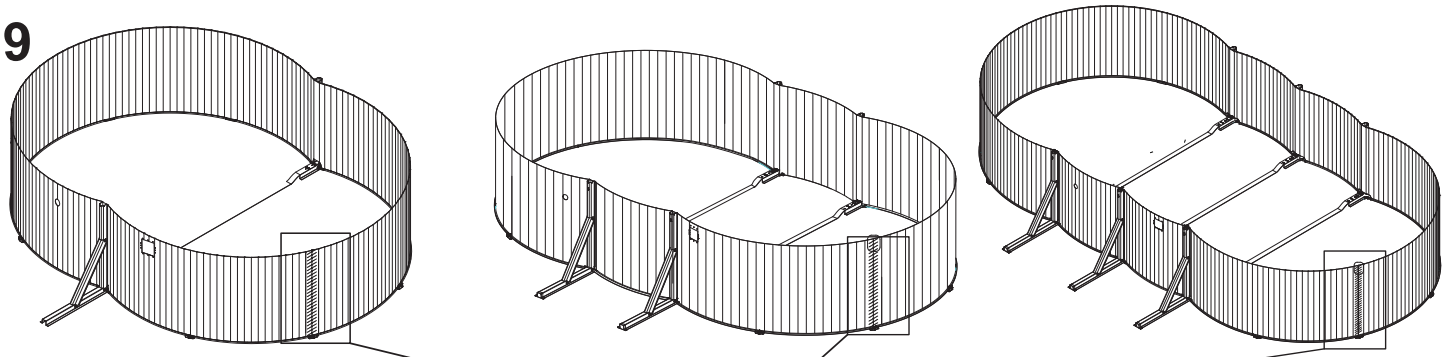
7



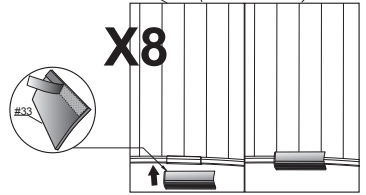
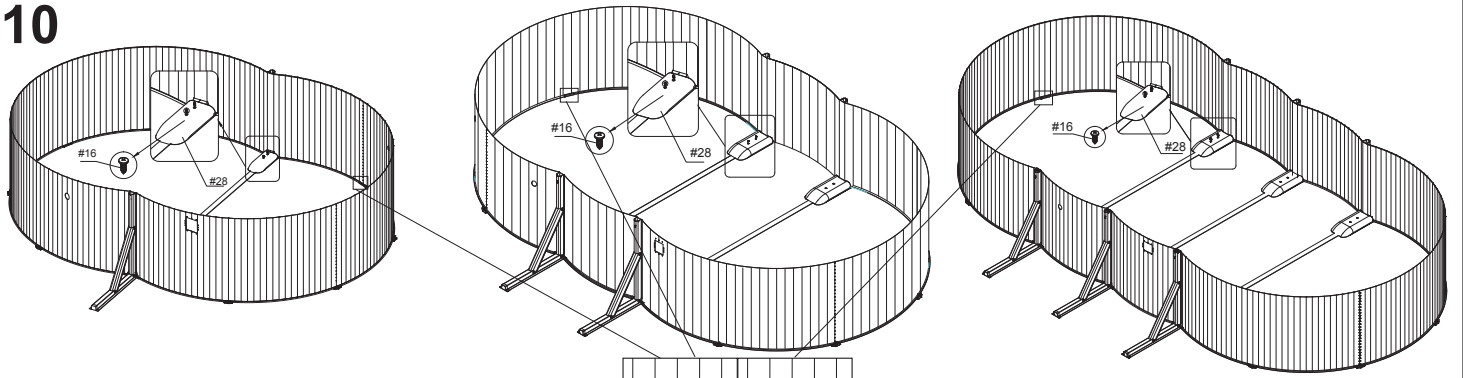
8



9

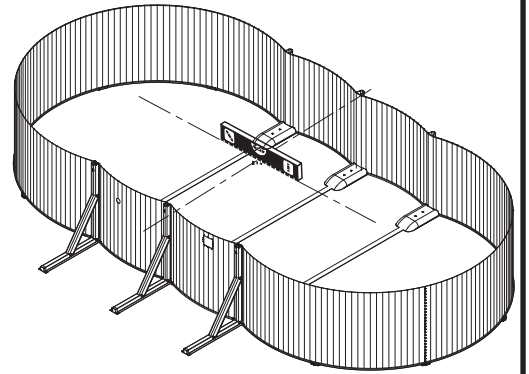
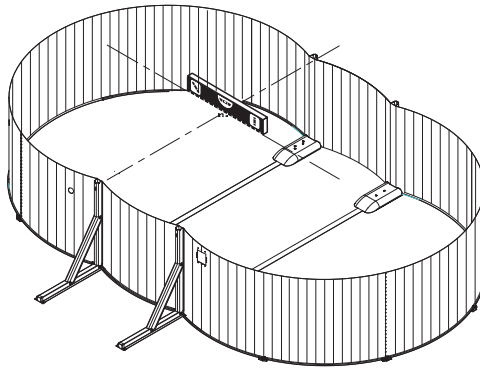
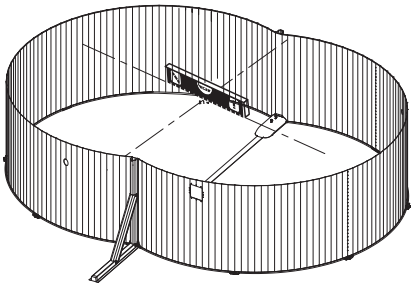
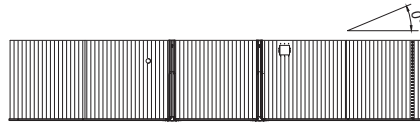


10

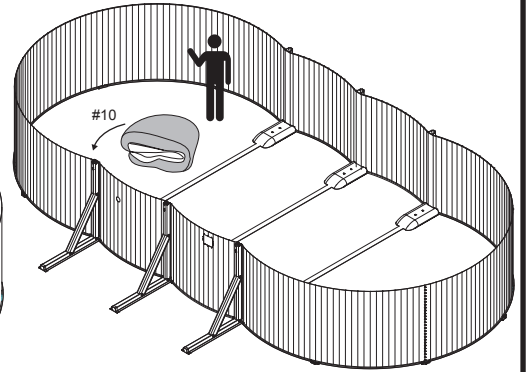
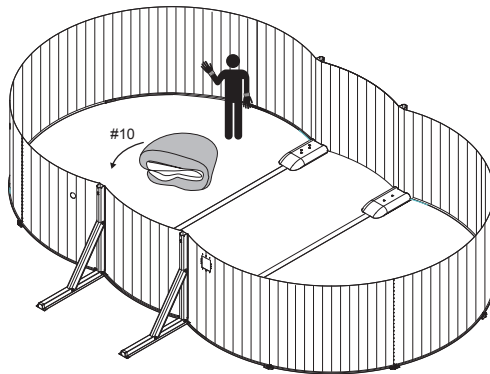
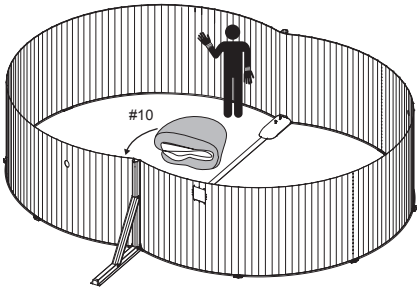




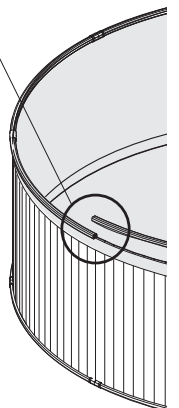
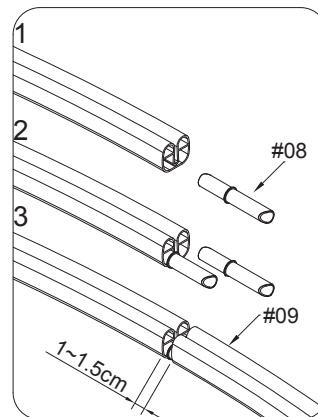
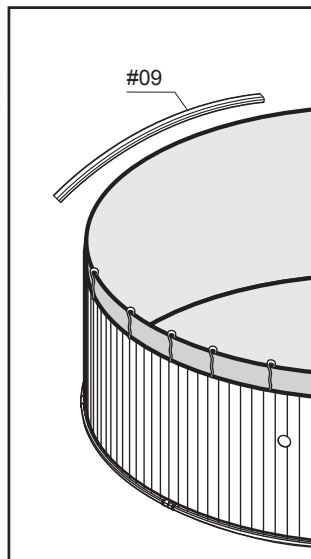
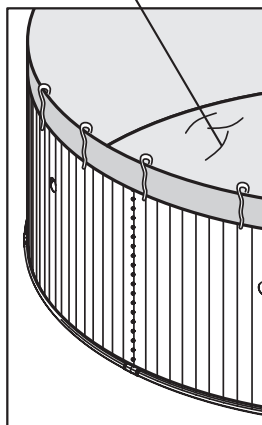
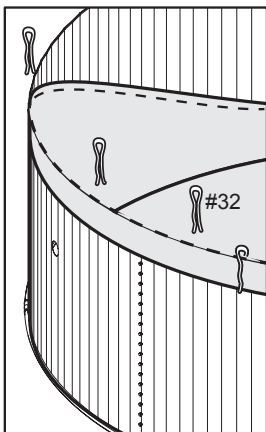
11



12

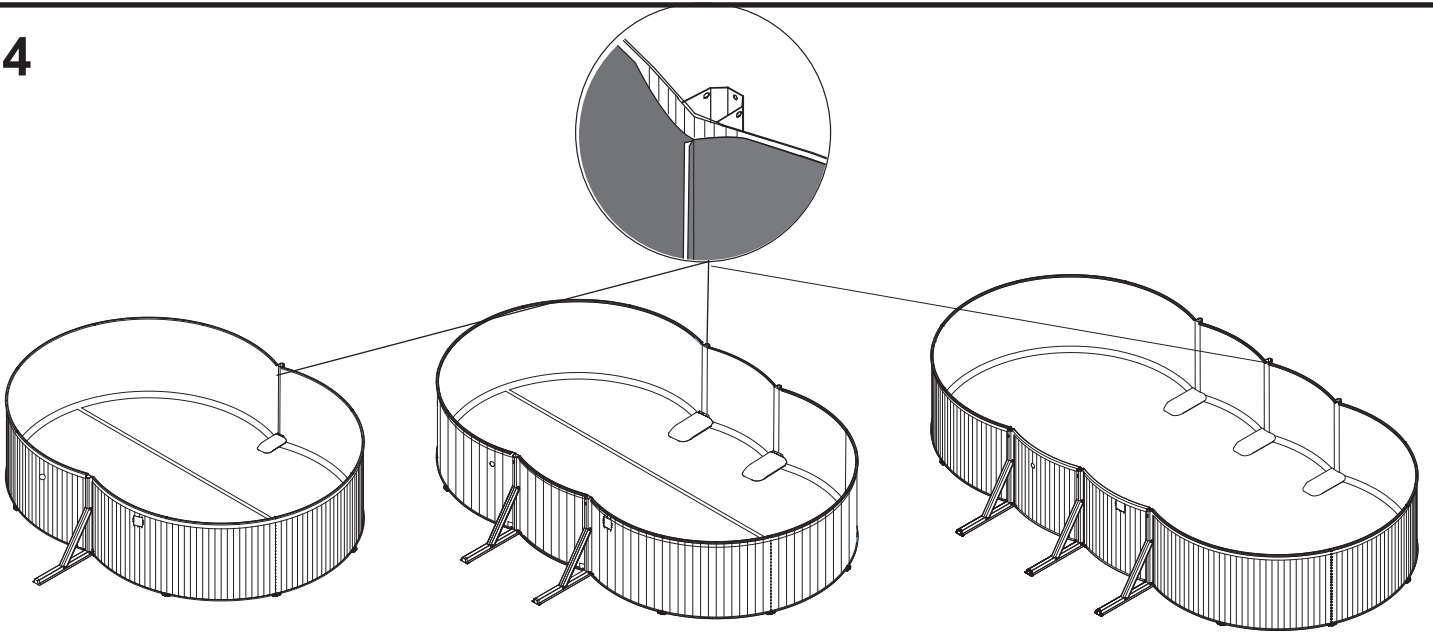


13

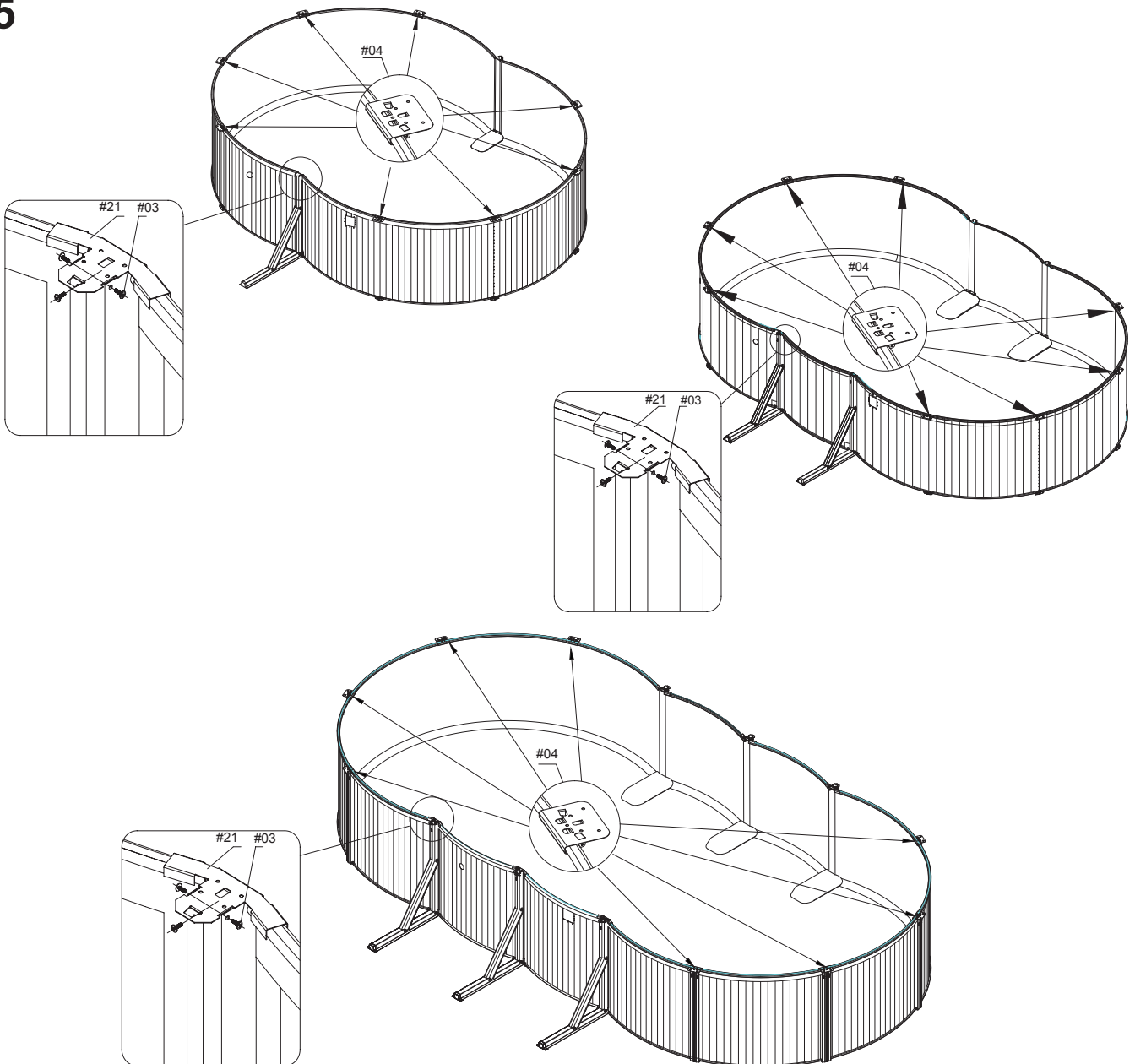


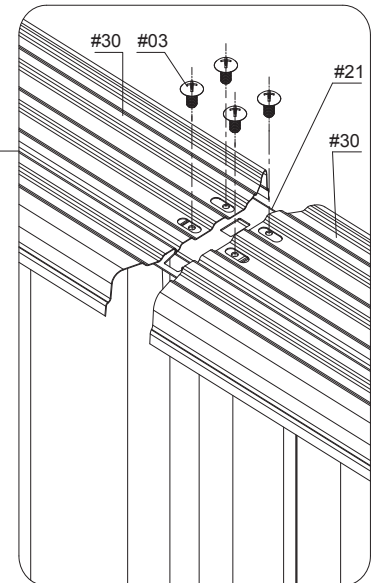
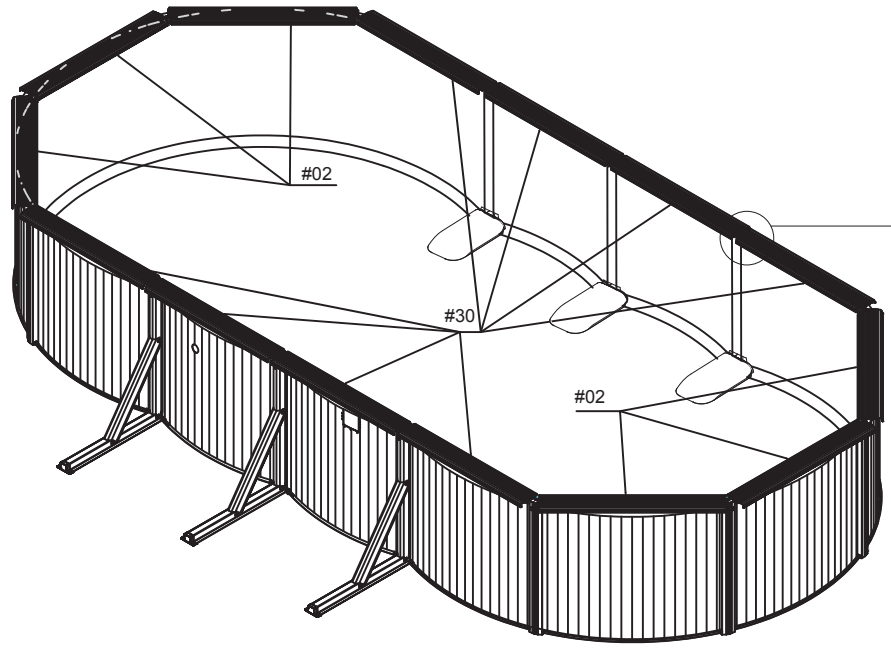
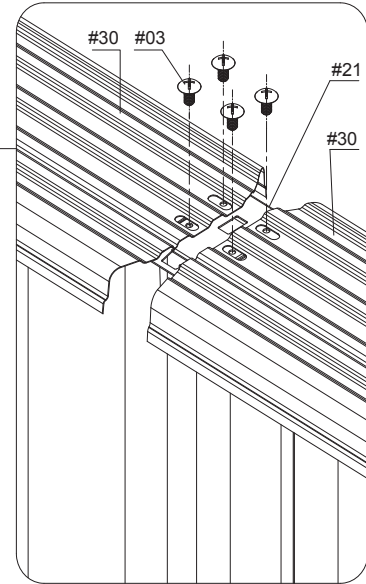
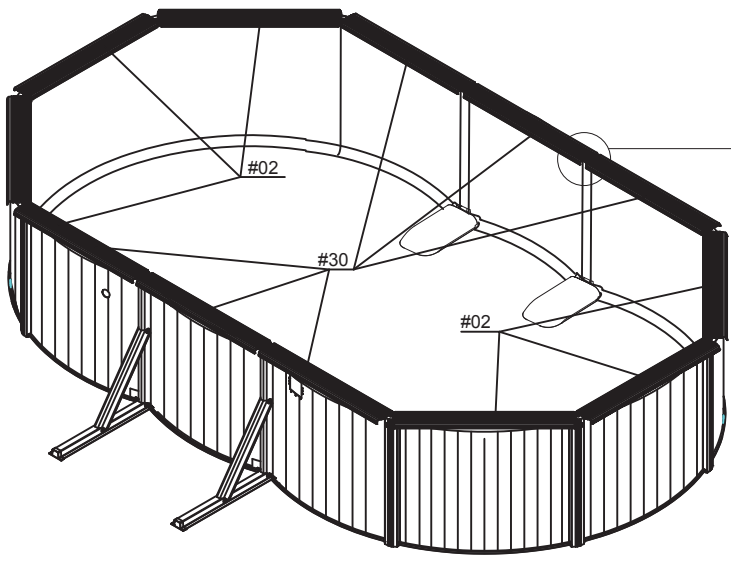
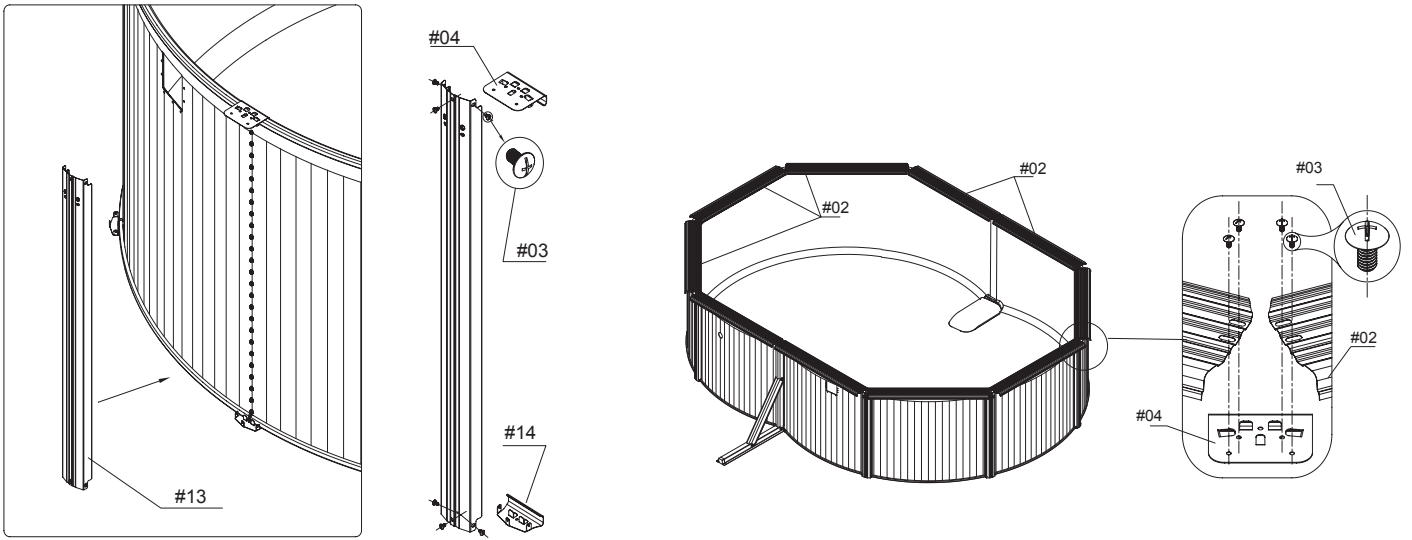


14

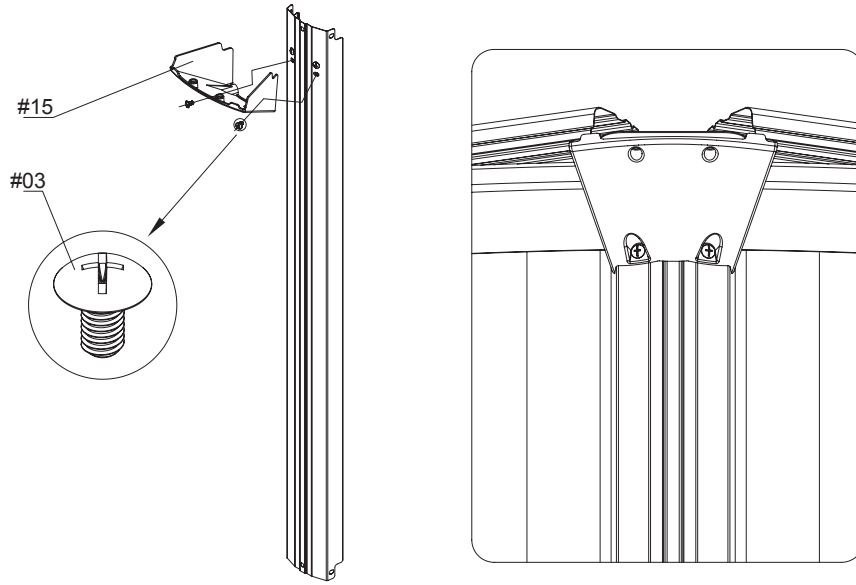


15

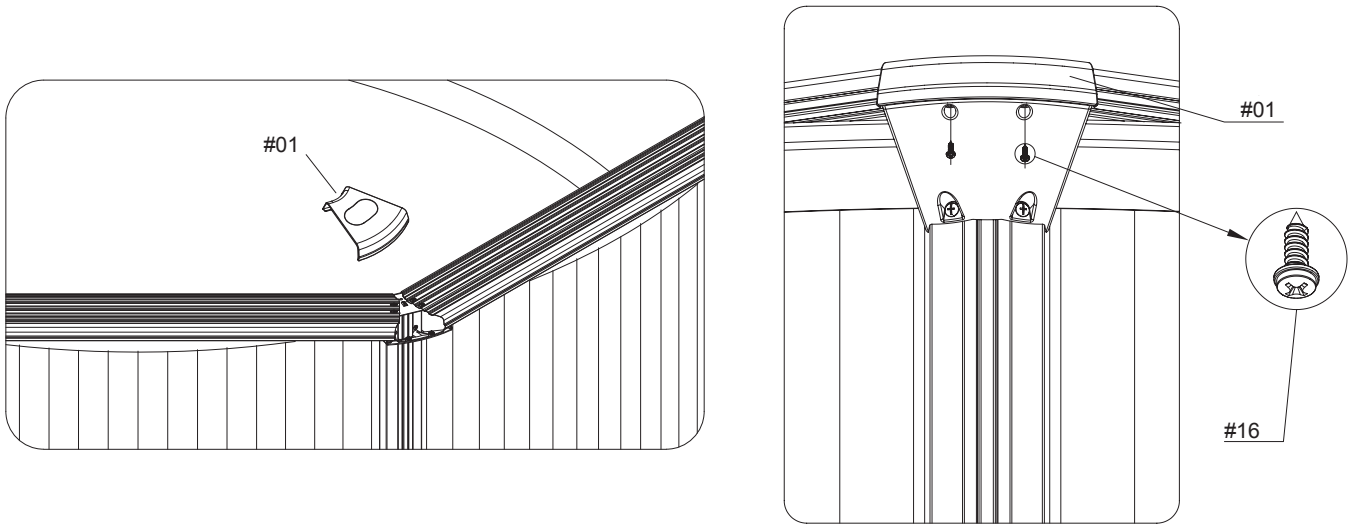




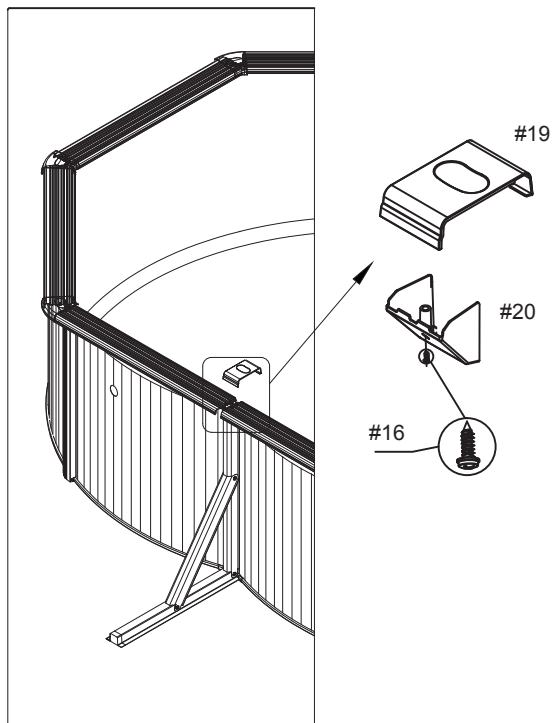
17



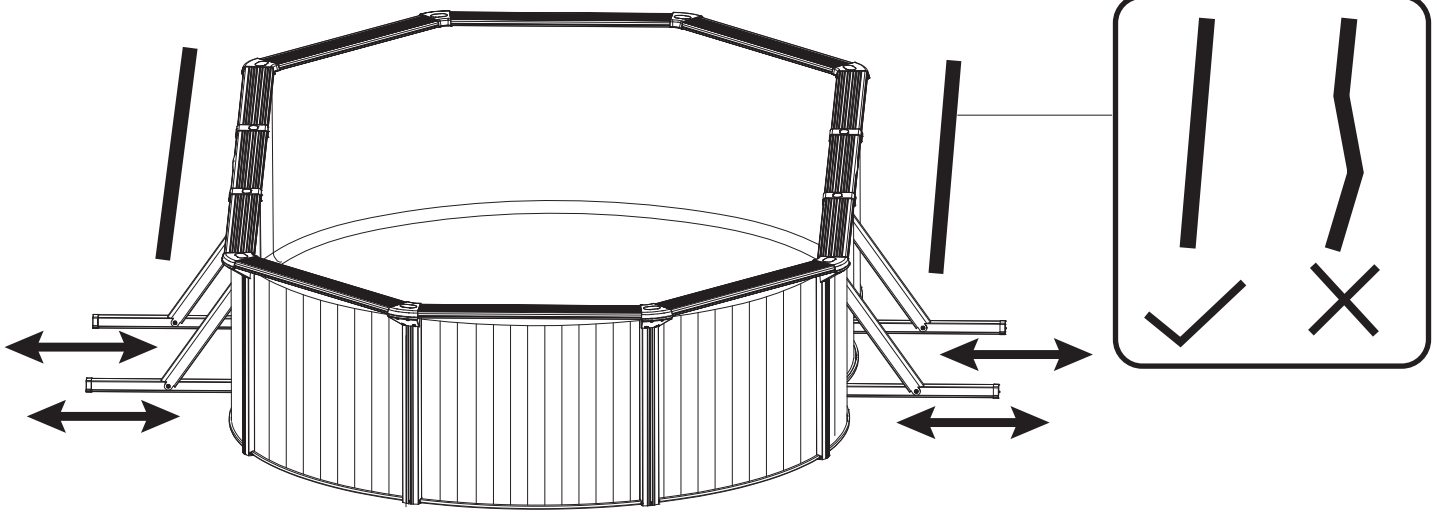
18



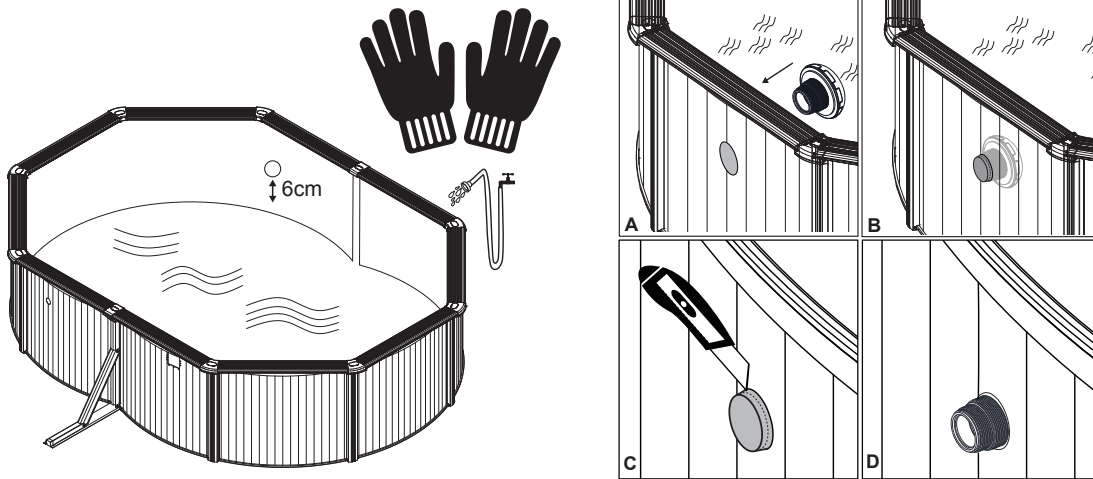
19



20



21



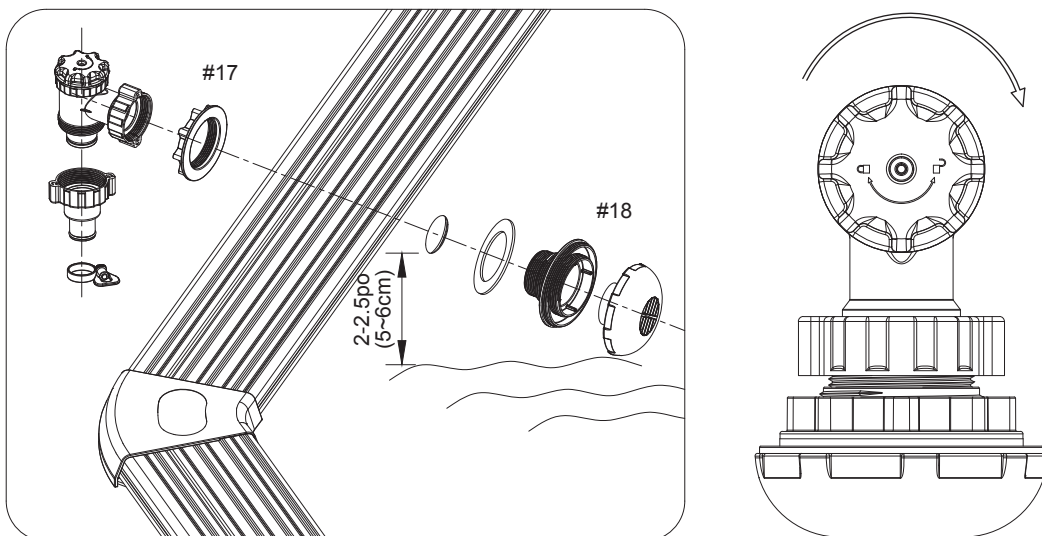
**REMARQUE:** Avant de raccorder la vanne à la piscine, remplissez la piscine en laissant 5 à 6 cm entre la position de la vanne de communication et la surface de l'eau.

**ATTENTION!** Ne montez jamais de manière permanente la vanne de communication avant que l'eau ne se trouve à quelques centimètres d'elle car la bâche doit être correctement tendue par la pression de l'eau.

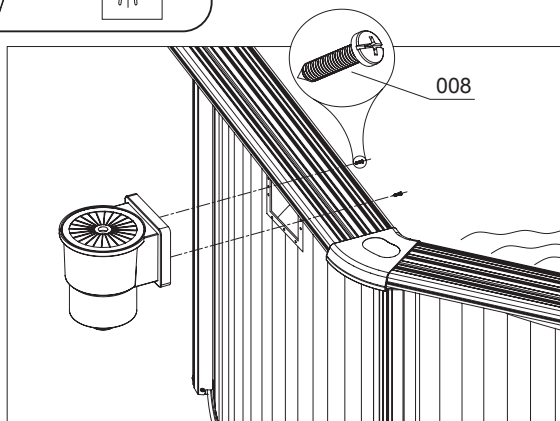
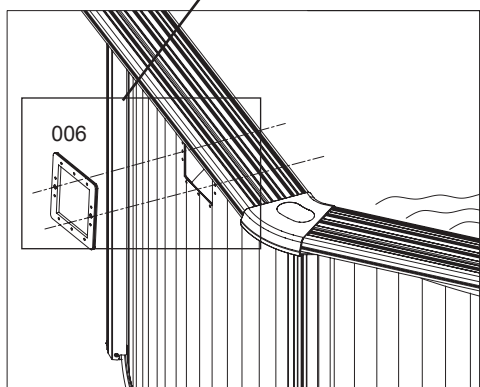
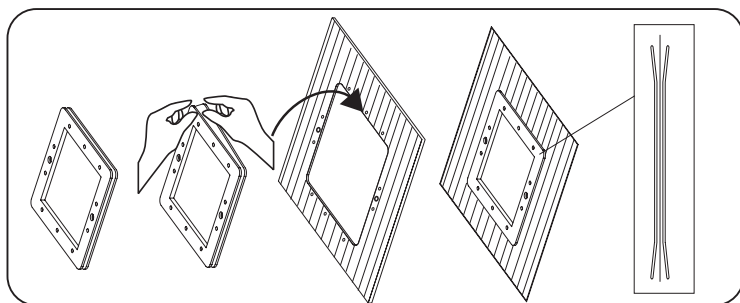
**REMARQUE:** Faites attention aux écailles ou à toute arête vive quand vous découpez la piscine.

**IMPORTANT:** Si vous découpez plus de bâche que le nécessaire, cela abîmera et rendra inutile la bâche de la piscine, faites donc particulièrement attention lorsque vous la découpez.

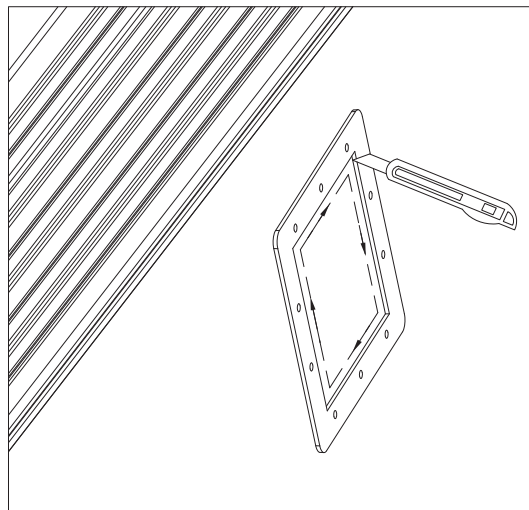
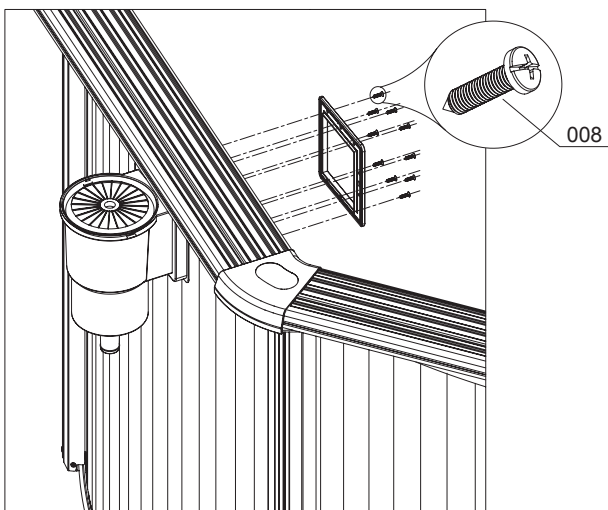
22



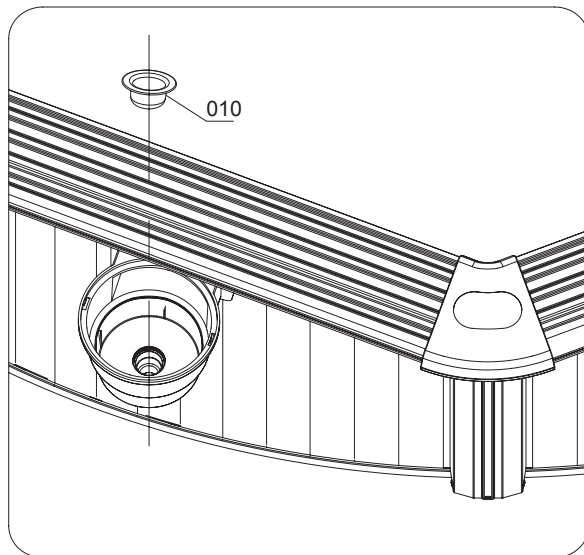
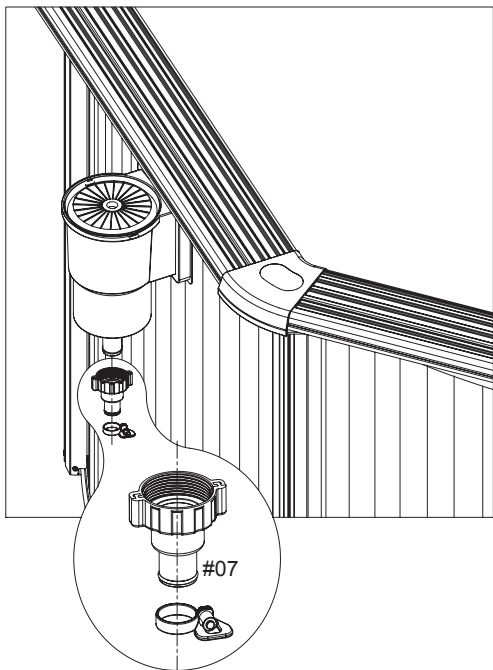
23



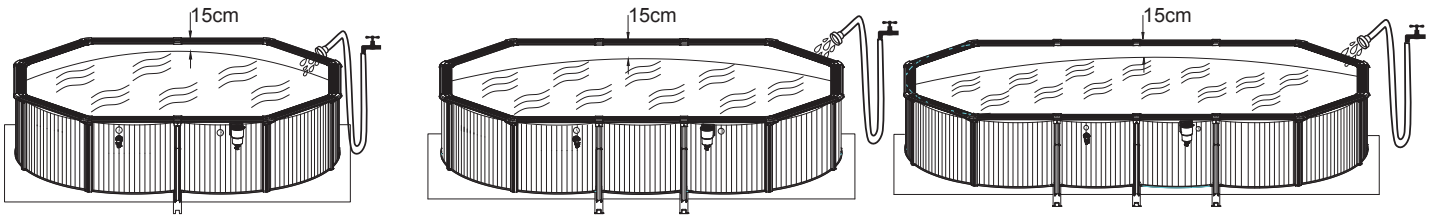
24



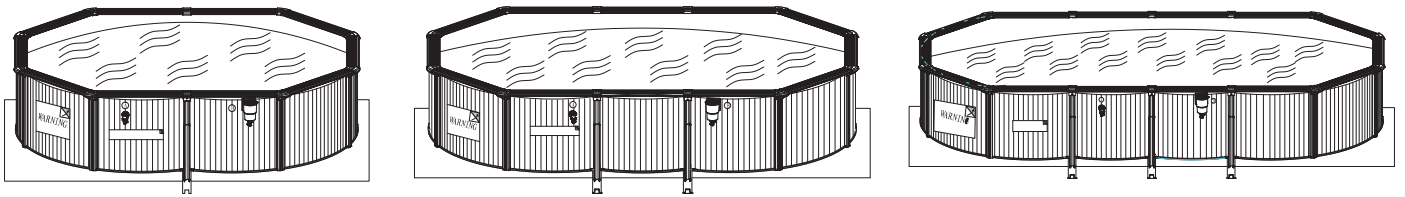
25



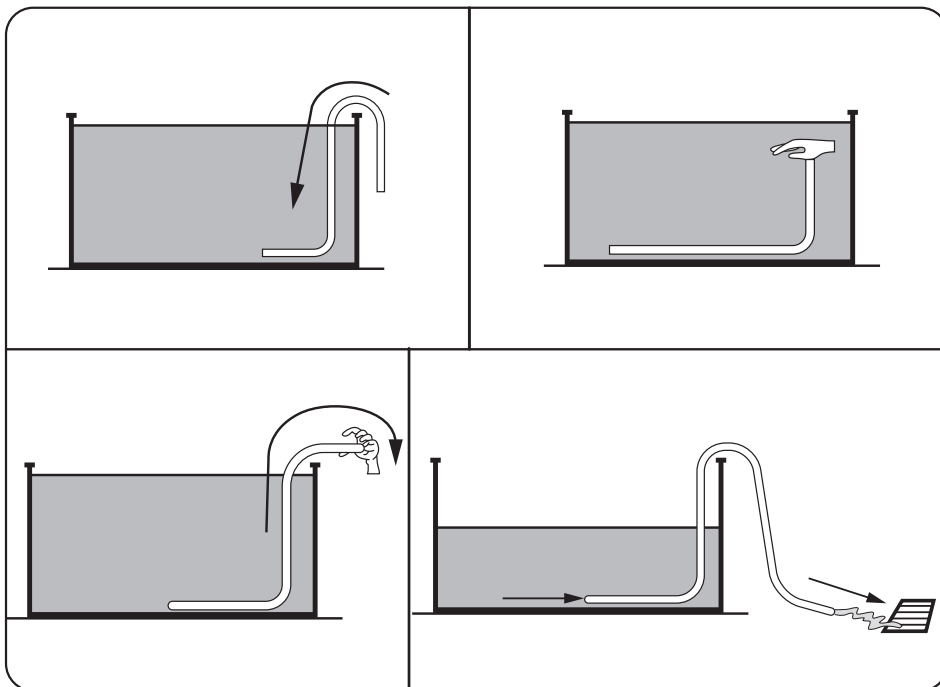
26



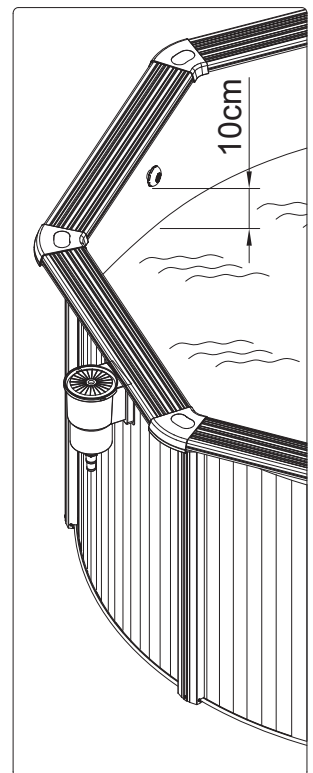
27



28



29



# Garantie limitée du fabricant BESTWAY®

Le produit que vous avez acheté est accompagné d'une garantie limitée. Bestway® défend sa garantie de qualité et assure, grâce à une garantie de remplacement, que votre produit ne présentera pas de vices de fabrication.

Pour présenter une réclamation dans le cadre de la garantie, il faut remplir ce formulaire qui doit être envoyé au service après-vente Bestway le plus proche, accompagné d'une copie de votre attestation d'achat. Avant d'accepter toute réclamation, le service après-vente Bestway peut vous demander de lui envoyer une partie de la pièce défectueuse (par ex: une découpe du numéro du lot de production / de la vanne de vidange). Veuillez contacter le service après-vente Bestway le plus proche avant d'envoyer tout document. Il vous communiquera toutes les instructions pour présenter votre réclamation.

Bestway® ne peut être tenue pour responsable du préjudice économique dérivant des coûts des produits chimiques ou de l'eau. Bestway® ne remplacera aucun produit jugé comme ayant été endommagé par négligence ou comme ayant été utilisé sans respecter les consignes de la notice d'utilisation.

La garantie Bestway couvre les vices de fabrication découverts lors du déballage du produit ou pendant son utilisation, dans les limites d'utilisation et dans le respect des mises en garde et des instructions fournies dans la notice d'utilisation. Cette garantie ne s'applique qu'aux produits n'ayant pas été modifiés par des tiers. Le produit doit être stocké et manipulé dans le respect des recommandations techniques.

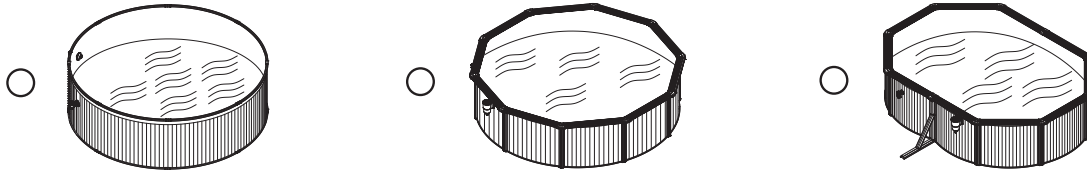
La garantie limitée est valable:

180 jours à compter de la date initiale de l'achat pour: les plateformes supérieures, les supports verticaux de la piscine, la paroi en acier, les pièces métalliques du haut et du bas, (pour tous les piscines à paroi en acier Hydrium), en plus des structures de support centrales (pour tous les modèles Hydrium Titan uniquement);

180 jours à compter de la date initiale de l'achat pour: la bâche de la piscine, les rails en PVC;

30 jours à compter de la date initiale de l'achat pour: les raccords en plastique, les raccords, le skimmer.

**Veuillez choisir le type de votre piscine :**



Date d'achat : \_\_\_\_\_ N° de code client : \_\_\_\_\_

À L'ATTENTION DE : Bestway® Service Department    DATE : \_\_\_\_\_

FAX/E-MAIL/TÉL. : Veuillez vous référer à votre pays en ce qui concerne les informations que vous trouverez au dos de la couverture ou sur notre site web : [www.bestwaycorp.com](http://www.bestwaycorp.com).

Veuillez fournir votre adresse dans son intégralité. **Remarque :** les adresses incomplètes porteront à des retards d'expédition. Bestway se réserve le droit de facturer le retour des colis non livrés quand la faute est imputable au destinataire.

## INFORMATIONS REQUISES - VEUILLEZ ÉCRIRE L'ADRESSE DE LIVRAISON

Nom: \_\_\_\_\_ Adresse: \_\_\_\_\_

Code Postal: \_\_\_\_\_ Distributeur: \_\_\_\_\_

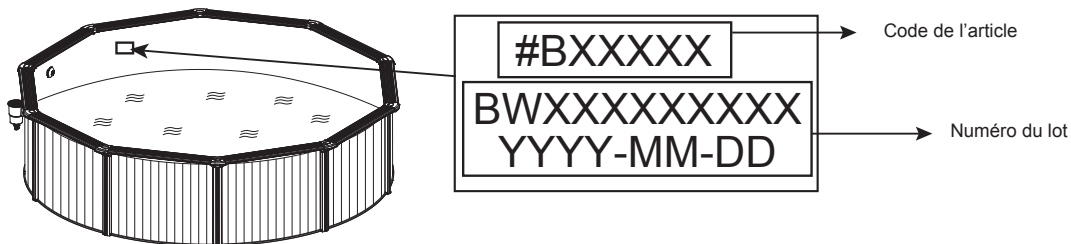
Pays: \_\_\_\_\_ Ville: \_\_\_\_\_

Mobile: \_\_\_\_\_ Téléphone: \_\_\_\_\_

Fax: \_\_\_\_\_ E-mail: \_\_\_\_\_

**Veuillez écrire le numéro du lot et le code de l'article situé sur la bâche.**

Numéro du lot : \_\_\_\_\_ Code de l'article: \_\_\_\_\_



## Description du problème

- Déchirures / fuites au niveau de l'article     Soudure défectueuse     Boudin du haut défectueux     Vanne de vidange défectueuse
- Autre (veuillez décrire)     Pièce manquante (veuillez utiliser le code pour la pièce manquante, vous pouvez le trouver sur la notice d'utilisation)

\_\_\_\_\_  
\_\_\_\_\_  
\_\_\_\_\_

## **IMPORTANT :** SEULE LA PIÈCE ENDOMMAGÉE SERA REMPLACÉE, PAS L'ENSEMBLE COMPLET.

Bestway se réserve le droit de demander des photographies attestant l'état défectueux des pièces ou de demander l'envoi de l'article pour des tests supplémentaires. Pour mieux vous aider, nous demandons à ce que toutes les informations que vous fournissez soient complètes.

POUR LES FAQ, MANUELS, VIDÉOS OU PIÈCES DÉTACHÉES, VEUILLEZ VISITER NOTRE SITE WEB: [www.bestwaycorp.com](http://www.bestwaycorp.com).

LES VIDÉOS SONT ÉGALEMENT DISPONIBLES SUR NOTRE CHÂÎNE BESTWAY SUR YOUTUBE:

[www.youtube.com/user/BestwayService](http://www.youtube.com/user/BestwayService).